

DASH	FR.	C	A
500	48Y	11.94	5.50
525	48Y	12.19	5.75

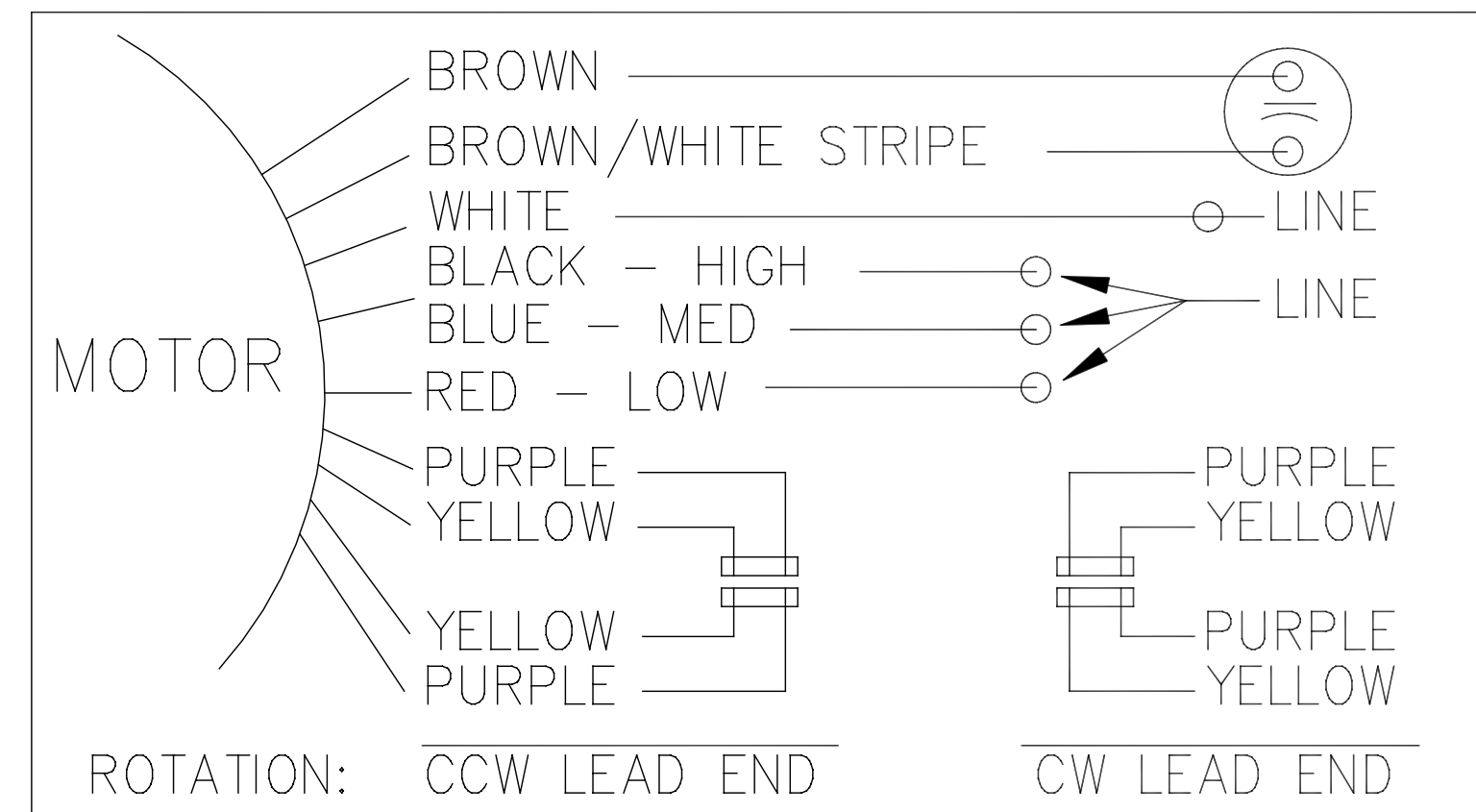
LEAD DESCRIPTION:

1 WHITE, 1 BLACK, 1 BLUE, & 1 RED, LEAD WITH .50 BARE WIRE STRIP. 30.00" LONG

2 BROWN LEADS WITH .25 FLAG-TYPE QUICK CONNECTS 30.00" LONG. BROWN/ WHITE MARKED LEAD IS COMMON TO WHITE.

REVERSING LEADS ARE MOLDED INTO MATING PULL-APART PLUGS. 1 YELLOW & 1 PURPLE LEAD PER PLUG. 5.00" LONG.

GREEN GROUND LEAD WITH TERM. FOR #10 SCREW 12.00" LONG.



		TOLERANCES UNLESS SPECIFIED		REGAL™ Regal Beloit America, Inc.		DRAWN SP 01-05-2009	
		DEC.	INCHES	TITLE OUTLINE		CHK NB 01-05-2009	
		.X	±.1			APPD SP 01-05-2009	
		.XX	±.03			SCALE 3=8	
		.XXX	±.005			REF SS74759	
A	CHD. FLAT LENGTH FROM 5.16 TO 5.25 ECO-0087836	PST	10/28/15	.XXXX	±.0005	FMF 08-2426	
NO.	REVISION	BY & DATE	CHK	ANG	±7'30"	PREV	
THIS DRAWING IN DESIGN AND DETAIL IS OUR PROPERTY AND MUST NOT BE USED EXCEPT IN CONNECTION WITH OUR WORK ALL RIGHTS OF DESIGN AND INVENTION ARE RESERVED THIS IS AN ELECTRONICALLY GENERATED DOCUMENT - DO NOT SCALE THIS PRINT				RFP	CAD FILE SS403797	SIZE A	DRAWING NO. SS403797
				DIST WP		PAGE OF	REV. A