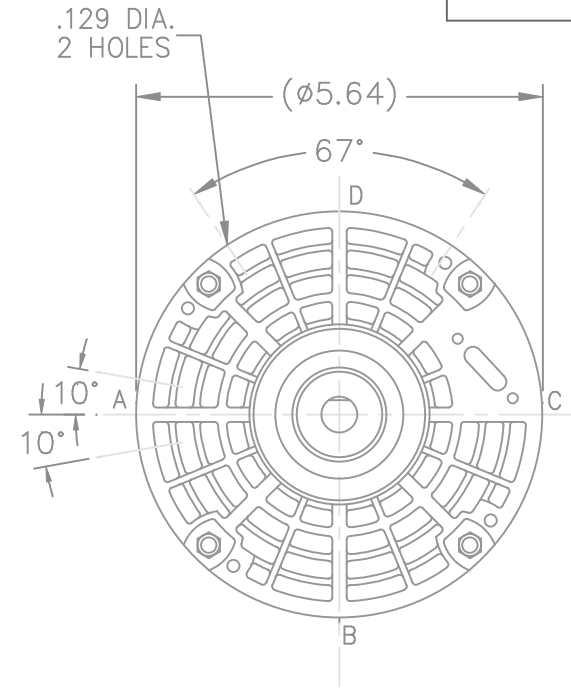
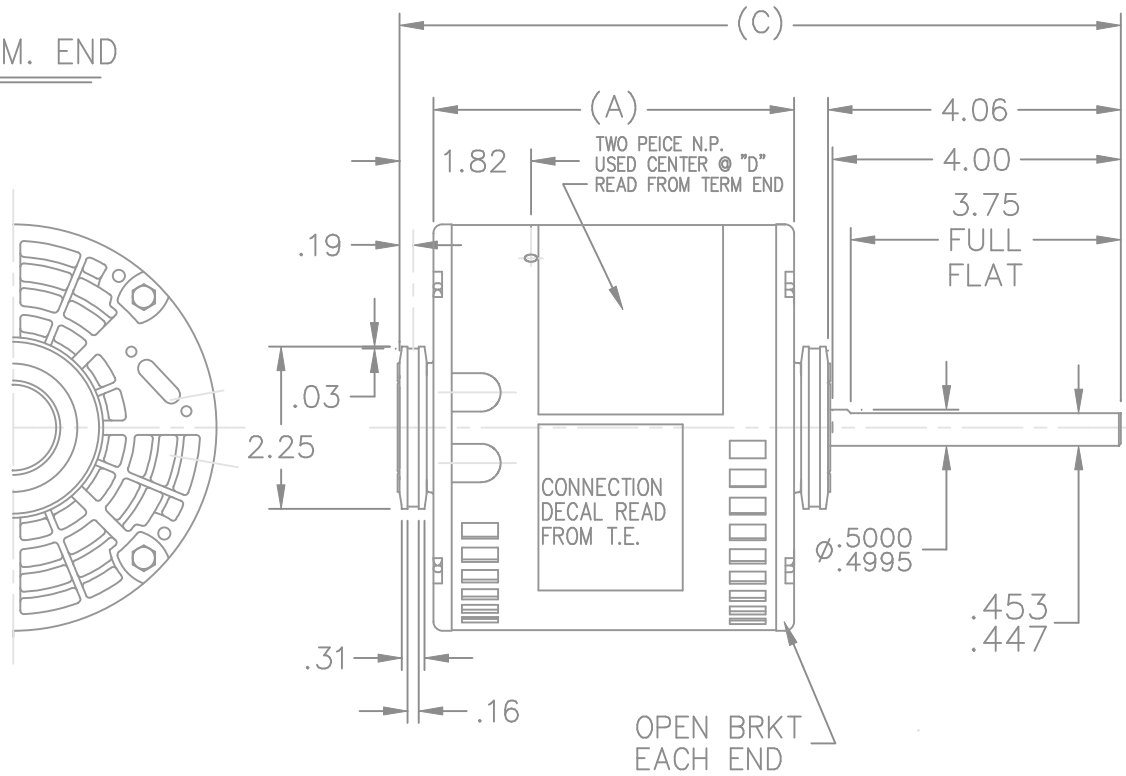


TERM. END



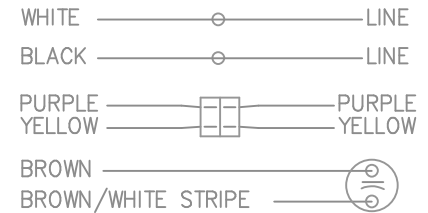
LEAD DESCRIPTION:

1 BLACK AND 1 WHITE LEAD WITH .50 BARE WIRE STRIP. 36.00 TO 39.00 LONG.

2 BROWN LEADS WITH .25 FLAG-TYPE QUICK CONNECTS 36.00 TO 39.00 LONG. WHITE MARKED LEAD IS COMMON TO WHITE.

REVERSING LEADS ARE MOLDED INTO MATING PULL APART PLUGS. 1 YELLOW & 1 PURPLE LEAD PER PLUG. 4.00 TO 6.00 LONG

CW ROTATION - SHAFT END SHOWN TO REVERSE, CONNECT PURPLE TO YELLOW, AND YELLOW TO PURPLE.



DASH	FR.	C	A
350	48Y	9.00	4.00
375	48Y	9.25	4.25

TOLERANCES UNLESS SPECIFIED

DEC.	INCHES
.X	±.1
.XX	±.03
.XXX	±.005
.XXXX	±.0005
ANG	±7'30"



TITLE OUTLINE

MAT'L.

FINISH

DRAWN	SP 01-07-2009
CHK	NB 01-07-2009
APPD	SP 01-07-2009
SCALE	3=8
REF	SS73918
FMF	07-2426
PREV	

NO.	REVISION	BY & DATE	CHK

THIS DRAWING IN DESIGN AND DETAIL IS OUR PROPERTY AND MUST NOT BE USED EXCEPT IN CONNECTION WITH OUR WORK ALL RIGHTS OF DESIGN AND INVENTION ARE RESERVED THIS IS AN ELECTRONICALLY GENERATED DOCUMENT - DO NOT SCALE THIS PRINT

RFP	01-07-2009	CAD FILE	SS403800	SIZE	DRAWING NO.	PAGE	OF	REV.
DIST	WP			A	SS403800			