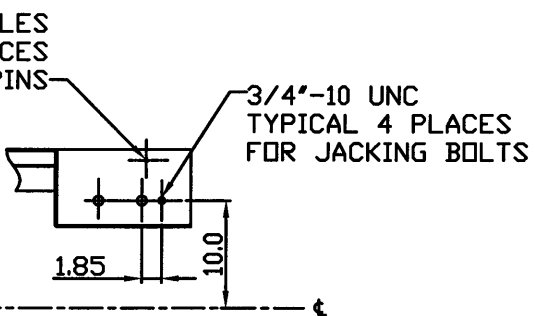


TECHNICAL INFORMATION

1. BEARING LUBRICATION DE: TURBINE OIL ISO VG32
ODE: TURBINE OIL ISO VG32
2. BEARING TYPE DE: M9-90-INS
ODE: M9-90-INS
3. WINDING TEMP. DETECTORS
NUMBER AND TYPE: 6xRTD(PtO°C-100ohm)
LOCATION: IN STATOR SLOT
4. BEARING TEMP. DETECTORS
NUMBER AND TYPE: _____
5. SPACE HEATER 1 PHASE
VOLTS: 120 WATTS: 400
6. ROTATION: CCW VIEWED FROM NON DRIVE END
THIS MOTOR IS UNI DIRECTIONAL
7. MOTOR PAINT COLOR: _____
8. APPROX. WEIGHT: 5100 Lbs
9. ACCESORIES: _____

| DRAWING LIST | | | | |
|----------------------|-----|-------------|----|--------|
| MAIN TERMINAL BOX | | | | |
| AUX TERMINAL BOX FOR | | | | |
| SPACE HEATER | | | | |
| R.T.D. | | | | |
| THERMISTOR | | | | |
| | 0 | FIRST ISSUE | TZ | 3/8/05 |
| PRODUCTION # | NO. | REVISION | BY | DATE |



| MOTOR OUTLINE FOR THREE PHASE INDUCTION MOTOR | | | | | | |
|---|--------------|-------------|--------------|----------------------|-------------------|-----------|
| CUSTOMER NAME | | | | P.O. NO. | MOTOR TAG NO. | |
| OUTPUT HP | POLE | VOLTAGE | FREQUENCY | FULL LOAD SPEED | TOSHIBA MODEL NO. | |
| | 2 | 2300/4000 V | 60 Hz | (min ⁻¹) | | |
| TYPE | FORM | INS. CLASS | RATING | FRAME | S.F. | ENCLOSURE |
| | | F | CONT. | 5011/12 | 1.15 | WP-II |
| TOSHIBA INTERNATIONAL CORPORATION | | | | | | |
| HOUSTON, TEXAS U.S.A. | | | | | | |
| 3rd ANGLE PROJ. | PREPARED BY: | DATE: | CHECKED BY: | DATE: | DRAWING NO.: | REV. |
| | T. ZIEBRO | 3/8/05 | <i>Yntlo</i> | <i>Yntlo</i> | MDSL0087-07 | 0 |