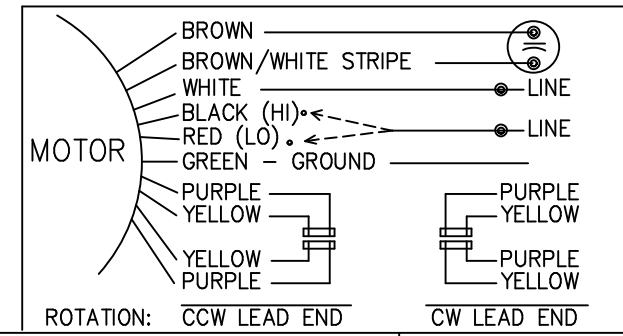


DASH	FR	C	A
400	48Y	10.56	4.50

LEAD DESCRIPTION:
 1 WHITE, 1 BLACK, & 1 RED BARE WIRE STRIPPED .50 30.00" LONG
 1 BROWN AND 1 BROWN WITH WHITE MARK WITH .25 FLAG TYPE QUICK CONNECT 30.00" LONG. BROWN LEAD WITH WHITE MARK IS COMMON TO WHITE.
 PURPLE AND YELLOW REVERSING LEADS ARE MOLDED INTO MATING PULL APART PLUGS 5.00" LONG.
 GREEN GROUND WITH TERM. FOR #10 SCREW 12.00" LONG.



		TOLERANCES UNLESS SPECIFIED			DRAWN RP 01/12/2009				
		DEC.	INCHES		CHK SP 01/12/2009				
		.X	±.1		APPD NB 01/12/2009				
		.XX	±.03		SCALE 7=16				
		.XXX	±.005	REF SS403314					
01	DRAIN PLUG QTY. NOTE REVISED, ECN:13714	SP	4/22/2009	.XXXX	±.0005	MAT'L.	FMF		
NO.	REVISION	BY & DATE	CHK	ANG	±7'30"	FINISH	PREV		
THIS DRAWING IN DESIGN AND DETAIL IS OUR PROPERTY AND MUST NOT BE USED EXCEPT IN CONNECTION WITH OUR WORK ALL RIGHTS OF DESIGN AND INVENTION ARE RESERVED THIS IS AN ELECTRONICALLY GENERATED DOCUMENT - DO NOT SCALE THIS PRINT				RFP	CAD FILE SS403805	SIZE A	DRAWING NO. SS403805	PAGE OF	REV. 01
				DIST	WP				