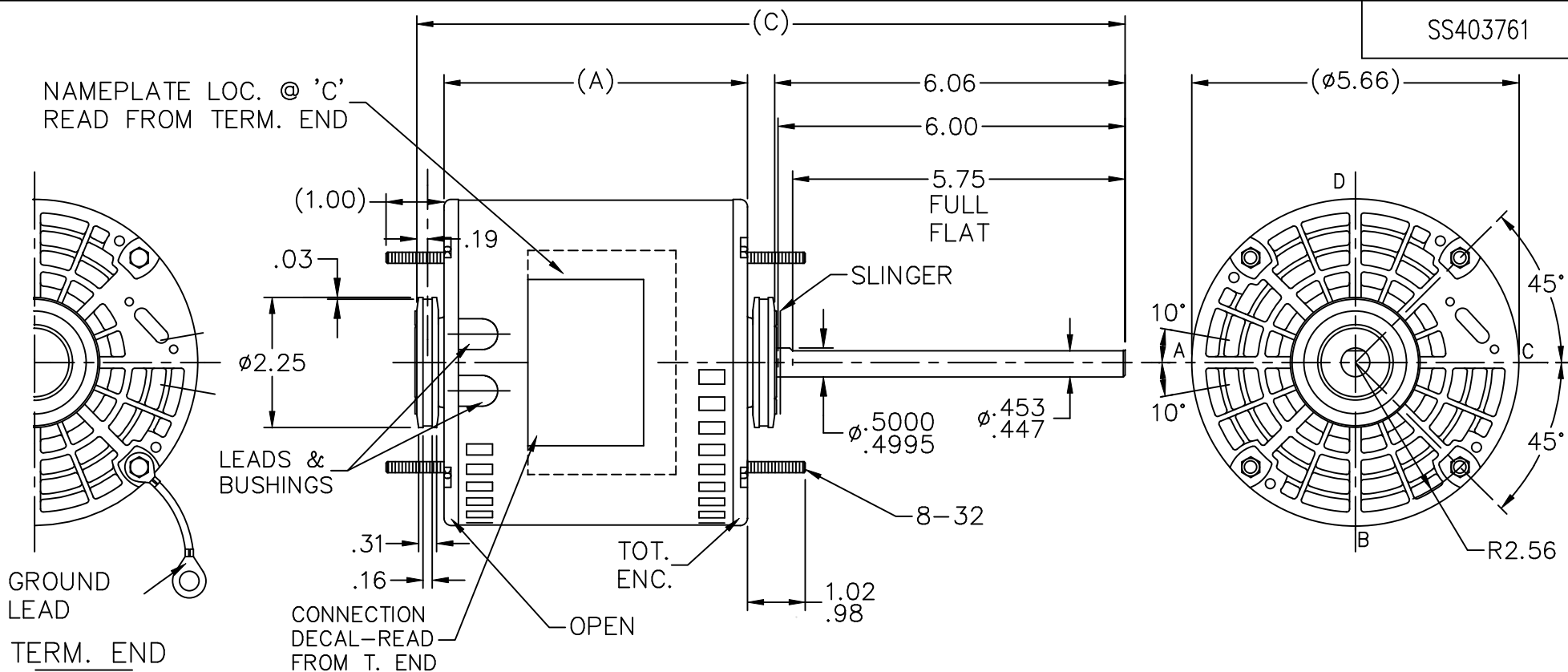


SS403761



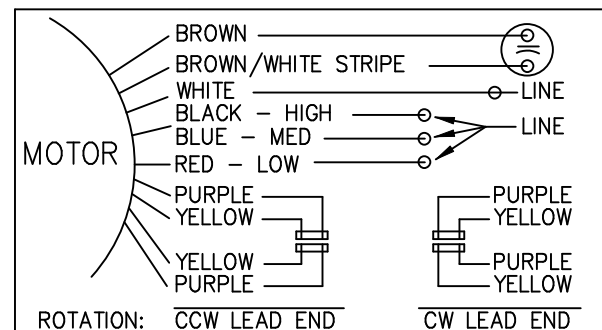
LEAD DESCRIPTION:

1 WHITE, 1 BLACK, 1 BLUE, & 1 RED, LEAD WITH .50 BARE WIRE STRIP. 30.00" LONG

2 BROWN LEADS WITH .25 FLAG-TYPE QUICK CONNECTS 30.00" LONG. BROWN/ WHITE MARKED LEAD IS COMMON TO WHITE.

REVERSING LEADS ARE MOLDED INTO MATING PULL-APART PLUGS. 1 YELLOW & 1 PURPLE LEAD PER PLUG. 5.00" LONG.

GREEN GROUND LEAD WITH TERM. FOR #10 SCREW 12.00" LONG.



DASH	FR.	C	A
425	48Y	11.75	4.75

NO.		REVISION		BY & DATE		TOLERANCES UNLESS SPECIFIED		<p>MARATHON ELECTRIC</p>	DRAWN RP 08-20-2008					
						DEC.	INCHES		CHK SP 08-20-2008					
						.X	±.1		APPD NB 08-20-2008					
						.XX	±.03		SCALE 3=8					
						.XXX	±.005		REF SS73971					
						.XXX	±.005	FMF 08-0421						
						.XXXX	±.0005	PREV						
						CHK ANG	±7'30"	FINISH						
						RFP		CAD FILE SS403761		SIZE A	DRAWING NO. SS403761		PAGE OF	REV.
						DIST WP								