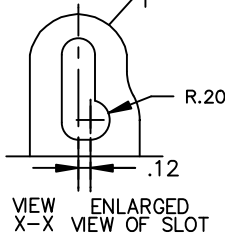
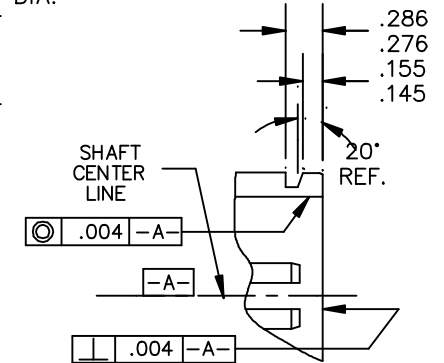
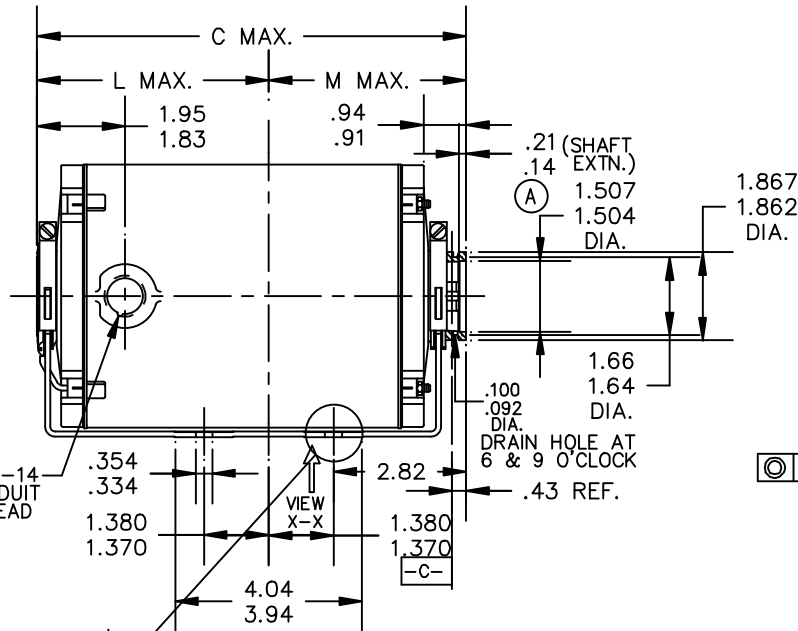
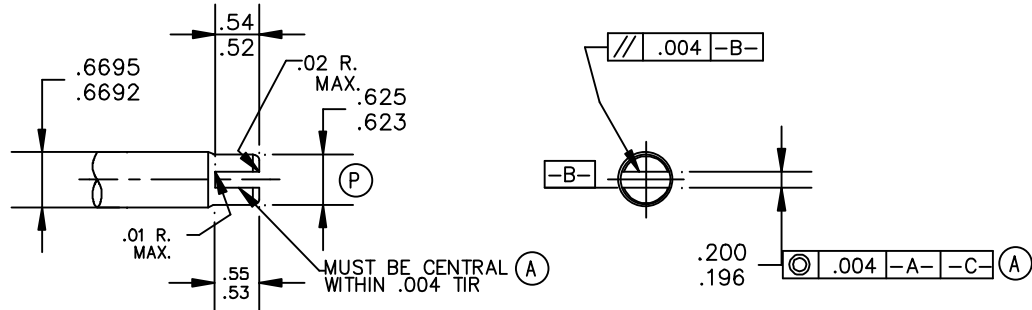
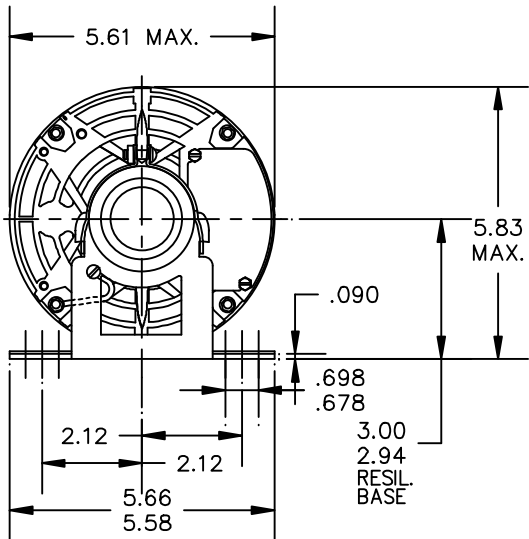


VIEW SHOWING P.E. VENTILATION OPENINGS



CONTROL SURFACES & DIMENSIONS
 (P) PROC.
 (E) ENG.
 (A) APPL.
 (R) REG.

6	KH	38	48Y	9.75	5.60	4.28
5	KH	37	48Y	9.15	5.01	4.28
4	KH	36	48Y	8.75	4.61	4.28
3	KH	35	48Y	8.32	4.18	4.28
2	KH	33	48Y	7.94	3.80	4.28
1	KH	32	48Y	7.69	3.55	4.28
P	TYPE	RBC SIZE	NEMA FR	C	L	M

				TOLERANCES UNLESS SPECIFIED			DRAWNMADHU 02/02/07		
				DEC.	INCHES		CHK		
				.X	±0.1		APPD DURGA 02/02/07		
02	CHG GD LD FROM 4.30 TO 7.30 PER IS11-0510 & REDRAWN IN DRAFT SIGHT	PVR 09/24/12	PKG	.XX	±0.02		SCALE 1=1		
01	UPDATED PER IS07-0144	MAD 02/20/07		.XXX	±0.005		REF		
NO.	REVISION	BY & DATE	CHK	ANG	±1.0		FMF		
THIS DRAWING IN DESIGN AND DETAIL IS OUR PROPERTY AND MUST NOT BE USED EXCEPT IN CONNECTION WITH OUR WORK ALL RIGHTS OF DESIGN AND INVENTION ARE RESERVED THIS IS AN ELECTRONICALLY GENERATED DOCUMENT - DO NOT SCALE THIS PRINT				RFP	CAD FILE 52A111767		SIZE	DRAWING NO.	
				DIST			A	52A111767	
								REV. 02	

