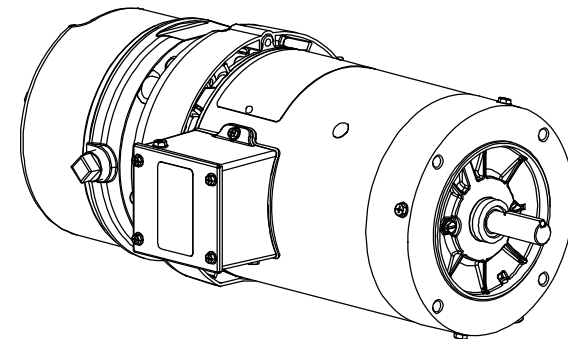


WASHGUARD MOTOR

- SPECIAL FEATURES:
- SHAFT SEAL & V-RING
 - PLUGGED DRAIN HOLES IN ENDBELLS & CONDUIT BOX
 - BUNA-N GASKETS THROUGHOUT
 - STAINLESS STEEL SHAFT, HARDWARE & NAMEPLATE



700	17.50	7.06
DASH NO	"C"	"AD"

DRAWING REVISION B	REVISION BY ARV	DATE 1/27/18
ECO ECO-0138716	APPROVED BY SK	DATE 1/27/18
ECO DESCRIPTION CHANGED CONDUIT BOX LEAD HOLE NOTE		
<small>COPYRIGHT REGAL BELOIT AMERICA, INC. ALL RIGHTS RESERVED. PROPRIETARY AND CONFIDENTIAL INFORMATION - THIS DOCUMENT IS THE PROPERTY OF REGAL BELOIT AMERICA, INC. ("OWNER") AND CONTAINS OWNER'S PROPRIETARY INFORMATION. ANY PERSON, CORPORATION OR OTHER FIRM RECEIVING IT IS DEEMED, BY RECEIVING IT, TO AGREE THAT IT, AND/OR ANY PART OF IT, SHALL NOT BE DISCLOSED TO ANY PERSON, CORPORATION OR OTHER ENTITY, DUPLICATED, AND/OR USED, EXCEPT AS EXPRESSLY APPROVED IN WRITING IN ADVANCE BY OWNER. THIS DOCUMENT SHALL BE RETURNED TO OWNER UPON REQUEST. IT MAY BE SUBJECT TO CERTAIN RESTRICTIONS UNDER APPLICABLE EXPORT CONTROL LAWS AND REGULATIONS.</small>		
ORACLE REV 001		

TOLERANCES UNLESS OTHERWISE SPECIFIED:			
DEC.	INCH	mm	ANGLE
.X	±0.1	[±2.5]	±0.5°
.XX	±0.01	[±0.25]	
.XXX	±0.005	[±0.127]	
.XXXX	±0.0005	[±0.0127]	
REMOVE BURRS & BREAK SHARP EDGES: .003/.015 [0.076/.381] X 45° CORNER FILLETS: R.02 [51]			
MACHINED SURFACES: 125 INCH 3.2 mm			
mm SHOWN IN [BRACKETS]			

DRAWN BY SL	REGAL™ Regal Beloit America, Inc.	
DATE 03/09/2016	DESCRIPTION OUTLINE TEFC - "C" FACE	
APPROVED BY LK	MATERIAL WASHGUARD BRAKE MOTOR	PROCESS/FINISH
DATE 03/09/2016	SIZE B	DRAWING NUMBER 607-0240
REFERENCE 607-0216	SHEET 1 OF 1	
THIRD ANGLE PROJECTION		