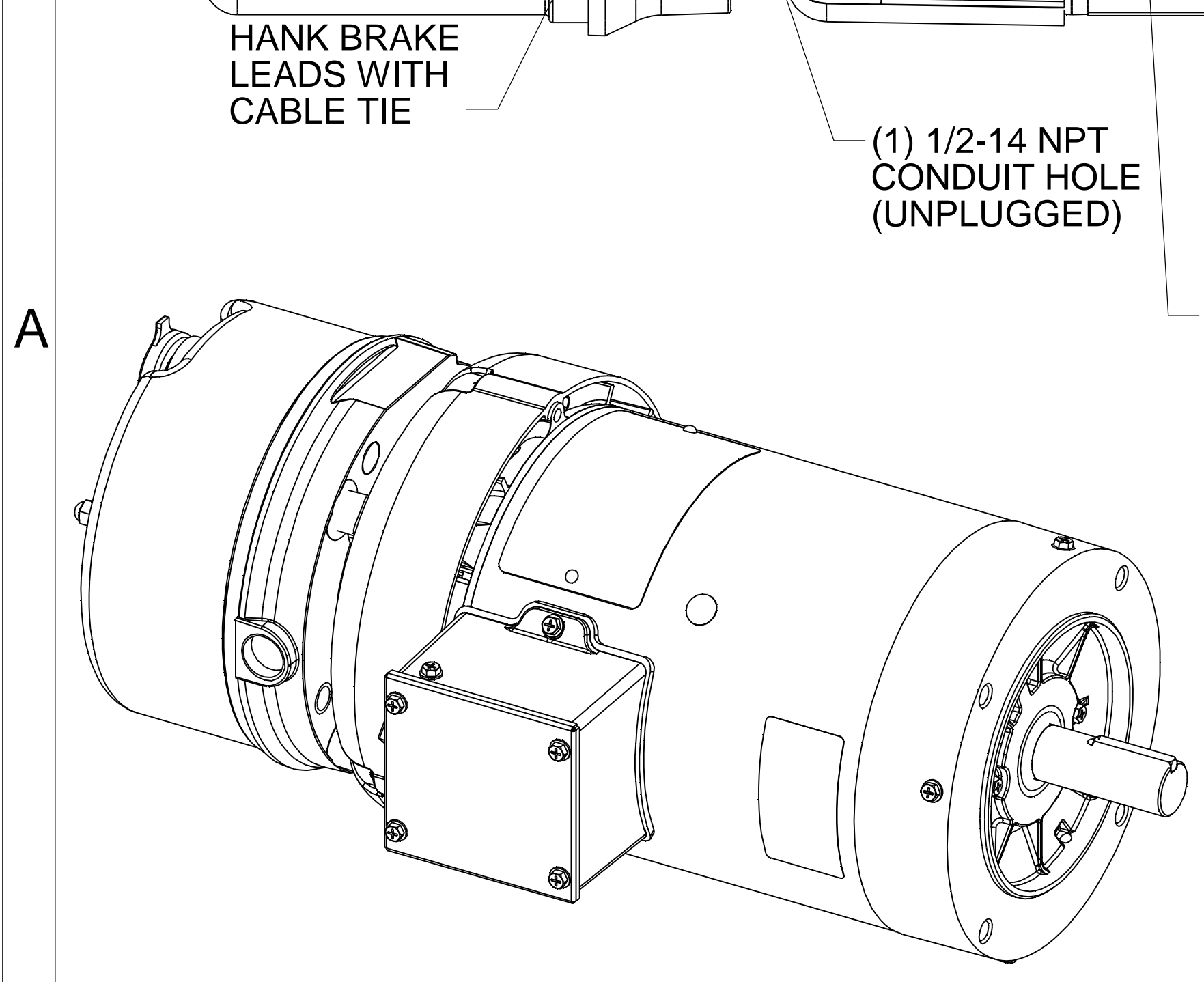
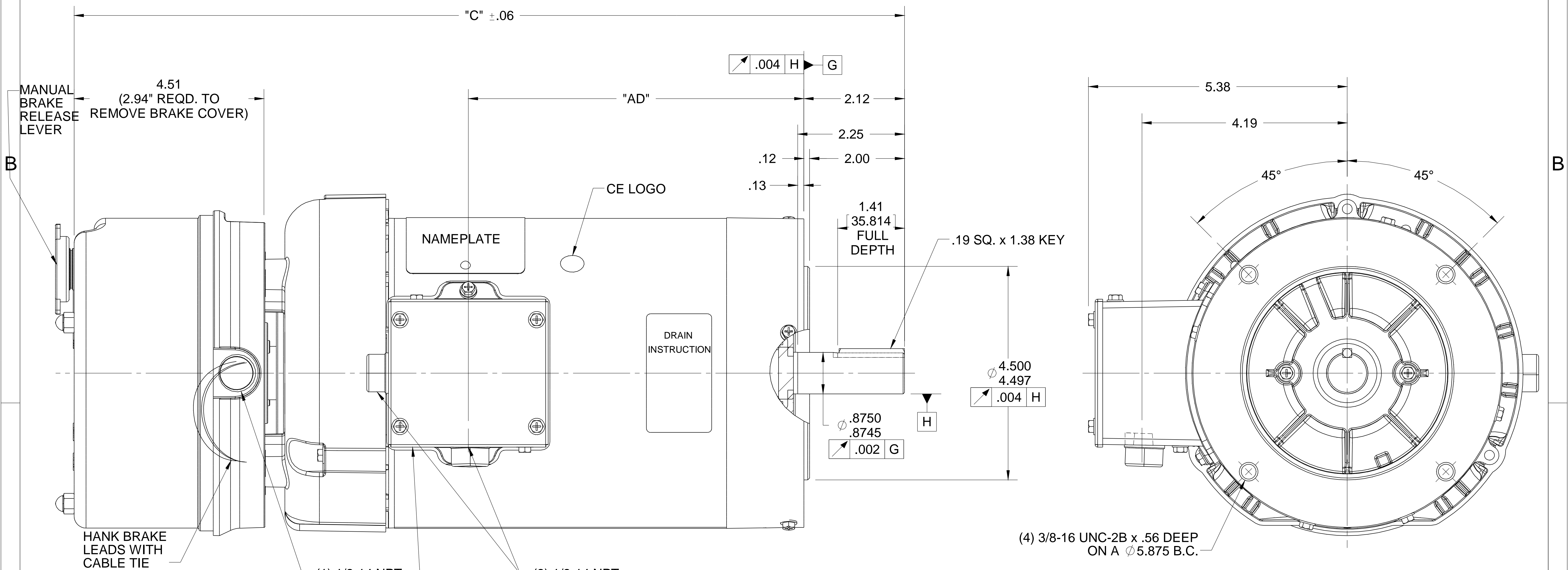


4

3

2

1



WASHGUARD FEATURES:

- 1) SHAFT SEAL & V-RING
- 2) PLUGGED DRAIN HOLES IN ENDBELLS & CONDUIT BOX
- 3) STAINLESS STEEL SHAFT, HARDWARE, & NAMEPLATE
- 4) GASKETS THROUGHOUT

DASH NO.	"C"	"AD"
650	17.50	6.57
700	18.00	7.07
750	18.50	7.57
800	19.00	8.07
850	19.50	8.57
900	20.00	9.07

DRAWING REVISION	REVISION BY	DATE
D	ARV	5/5/15
ECO	APPROVED BY SK	DATE 5/5/15

ECO-0075977

ECO DESCRIPTION
ADDED BRAKE LEADS AND PLUGGS

COPYRIGHT REGAL BELOIT AMERICA, INC. ALL RIGHTS RESERVED. PROPRIETARY AND CONFIDENTIAL INFORMATION - THIS DOCUMENT IS THE PROPERTY OF REGAL BELOIT AMERICA, INC. ("OWNER") AND CONTAINS OWNER'S PROPRIETARY INFORMATION. ANY PERSON, CORPORATION OR OTHER FIRM RECEIVING IT IS DEEMED, BY RECEIVING IT, TO AGREE THAT IT, AND/OR ANY PART OF IT, SHALL NOT BE DISCLOSED TO ANY PERSON, CORPORATION OR OTHER ENTITY, DUPLICATED, AND/OR USED, EXCEPT AS EXPRESSLY APPROVED IN WRITING IN ADVANCE BY OWNER. THIS DOCUMENT SHALL BE RETURNED TO OWNER UPON REQUEST. IT MAY BE SUBJECT TO CERTAIN RESTRICTIONS UNDER APPLICABLE EXPORT CONTROL LAWS AND REGULATIONS.

TOLERANCES UNLESS OTHERWISE SPECIFIED:

DEC.	INCH	mm	ANGLE
.X	±0.1	[±2.5]	±0.5°
.XX	±0.03	[±0.76]	
.XXX	±0.005	[±0.127]	
.XXXX	±0.0005	[±0.0127]	

REMOVE BURRS & BREAK SHARP EDGES: .003/.015 [0.076/.381] X 45°
 CORNER FILLETS: R.02 [0.51]
 MACHINED SURFACES: 125 INCH 3.2 mm

mm SHOWN IN [BRACKETS]

DRAWN BY	PVR
DATE	01/01/13
APPROVED BY	
DATE	
REFERENCE	
THIRD ANGLE PROJECTION	

REGAL ™ Regal Beloit America, Inc.	
DESCRIPTION	OUTLINE TEFC - "C" FACE - BRAKEMOTOR
MATERIAL	PROCESS/FINISH
SIZE	DRAWING NUMBER
B	607-0146
SHEET	1 OF 1

ORACLE
REV
02

4

3

2

1