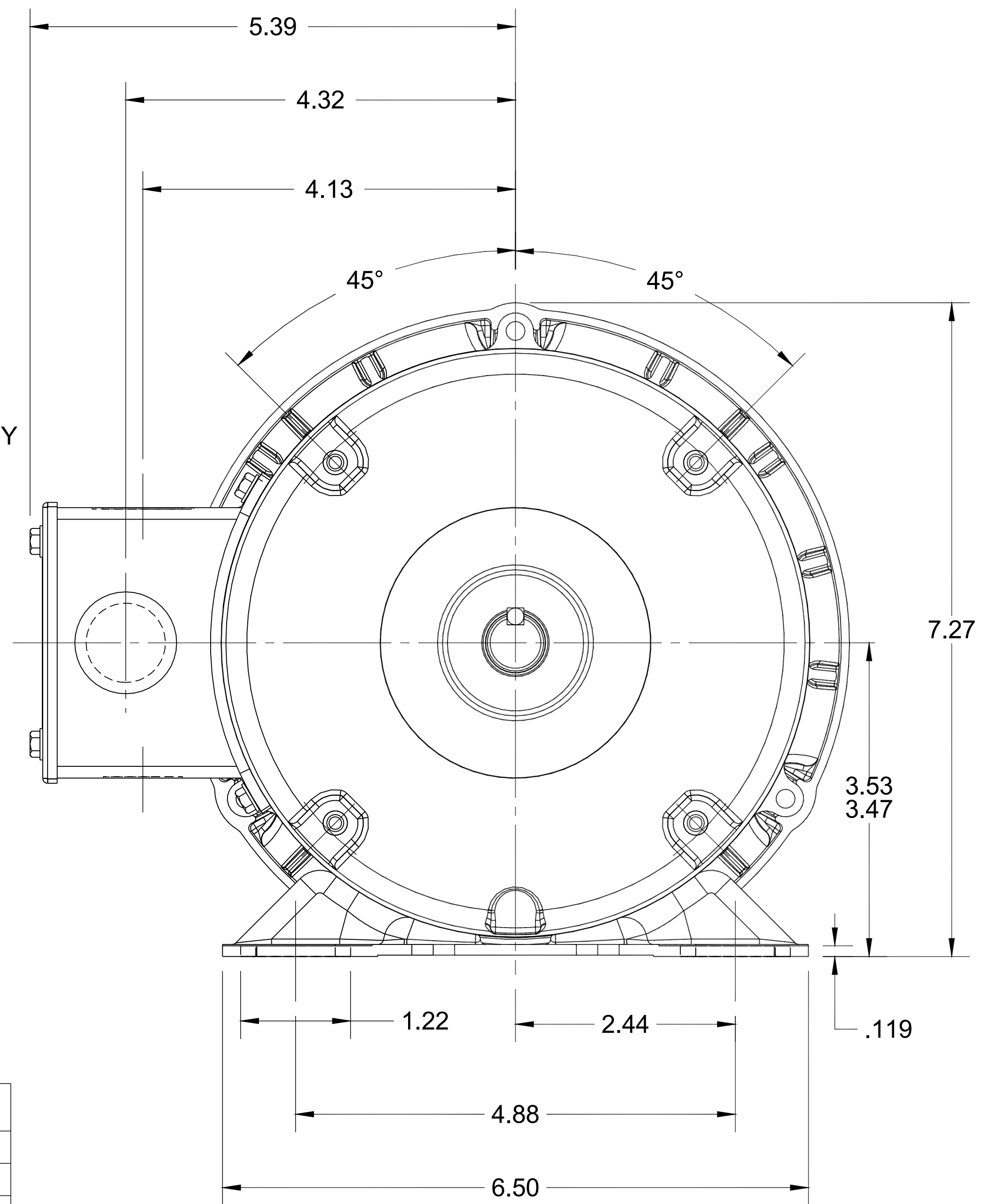
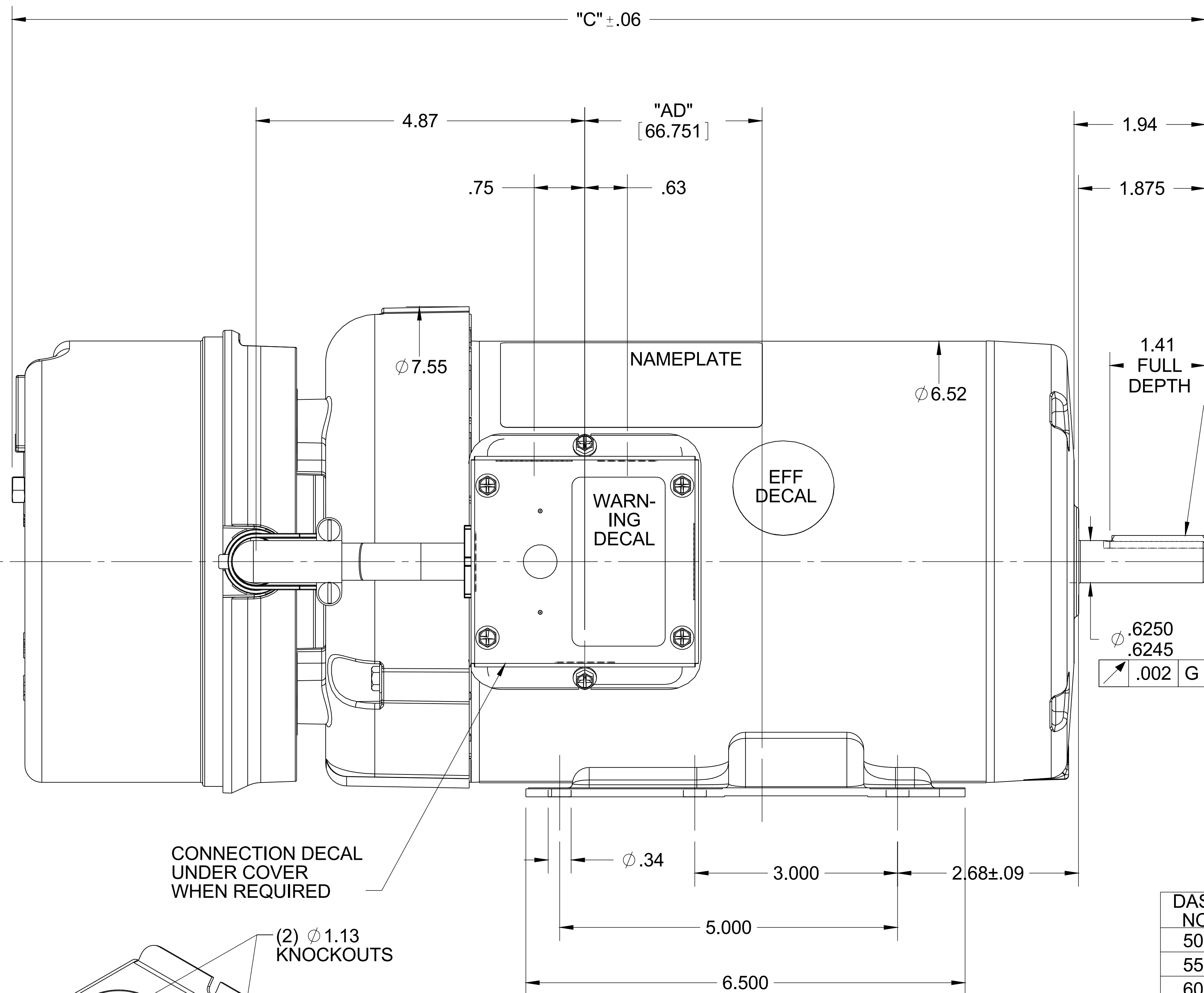


4

3

2

1



DASH NO.	"C"	"AD"
500	15.23	2.13
550	15.73	2.63
600	16.23	3.13
650	16.73	3.63
700	17.23	4.13
750	17.73	4.63

NOTE:
1) GASKETS THROUGHOUT

DRAWING REVISION A	REVISION BY	DATE
ECO ECO-0092436	APPROVED BY	DATE
ECO DESCRIPTION INITIAL RELEASE		
<small>COPYRIGHT REGAL BELOIT AMERICA, INC. ALL RIGHTS RESERVED. PROPRIETARY AND CONFIDENTIAL INFORMATION - THIS DOCUMENT IS THE PROPERTY OF REGAL BELOIT AMERICA, INC. ("OWNER") AND CONTAINS OWNER'S PROPRIETARY INFORMATION. ANY PERSON, CORPORATION OR OTHER FIRM RECEIVING IT IS DEEMED, BY RECEIVING IT, TO AGREE THAT IT, AND/OR ANY PART OF IT, SHALL NOT BE DISCLOSED TO ANY PERSON, CORPORATION OR OTHER ENTITY, DUPLICATED, AND/OR USED, EXCEPT AS EXPRESSLY APPROVED IN WRITING IN ADVANCE BY OWNER. THIS DOCUMENT SHALL BE RETURNED TO OWNER UPON REQUEST. IT MAY BE SUBJECT TO CERTAIN RESTRICTIONS UNDER APPLICABLE EXPORT CONTROL LAWS AND REGULATIONS.</small>		

TOLERANCES UNLESS OTHERWISE SPECIFIED:		
DEC	INCH	mm
.X	±0.1	[±2.5]
.XX	±0.01	[±0.25]
.XXX	±0.005	[±0.127]
.XXXX	±0.0005	[±0.0127]
REMOVE BURRS & BREAK SHARP EDGES: .003/.015 [.076/.381] X 45°		
CORNER FILLETS: R.02 [.51]		
MACHINED SURFACES: 125 INCH 3.2 mm		
mm SHOWN IN [BRACKETS]		

DRAWN BY SYED
DATE 02/10/15
APPROVED BY SYED
DATE 02/10/15
REFERENCE
THIRD ANGLE PROJECTION

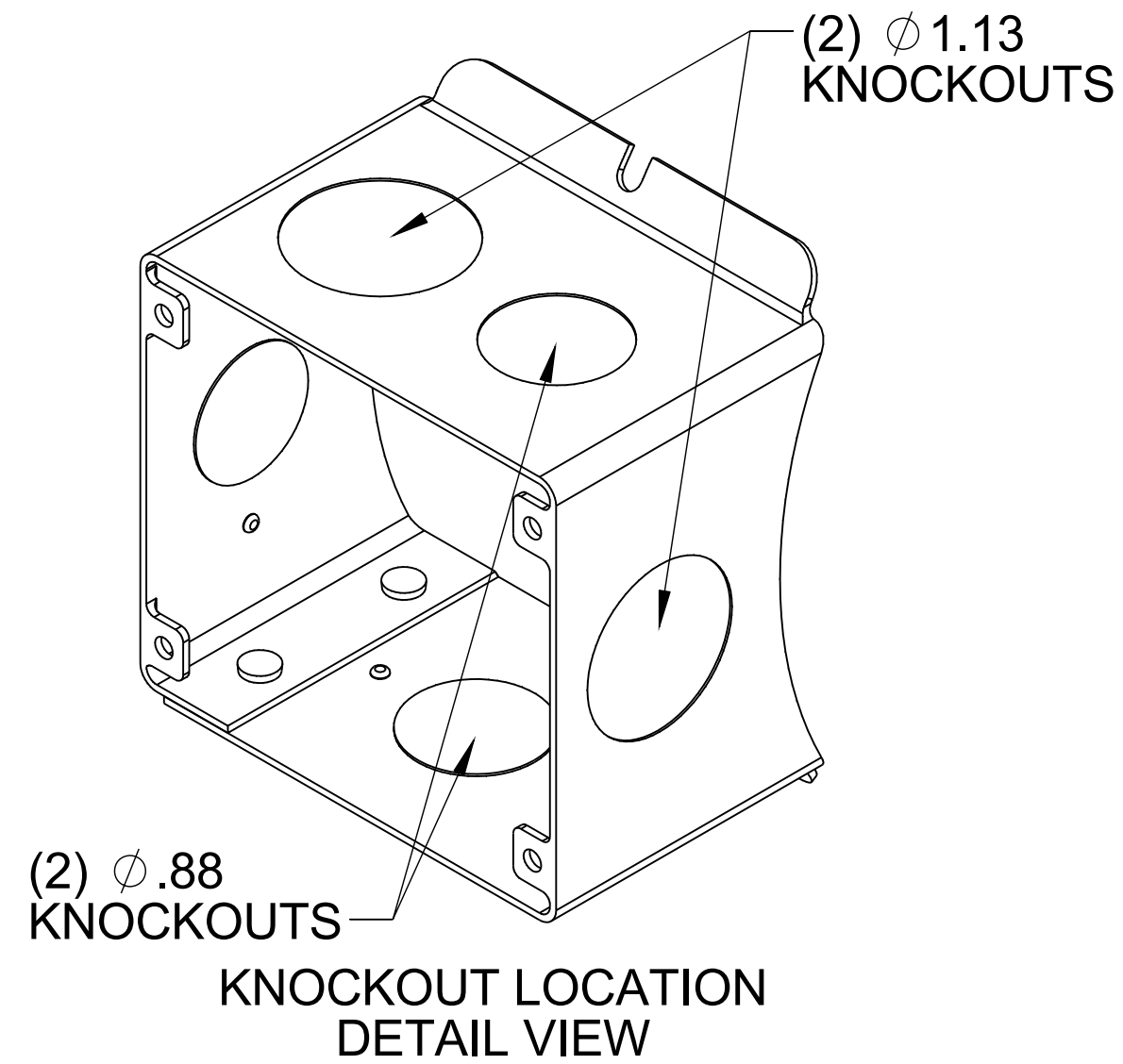
REGAL ™ Regal Beloit America, Inc.	
DESCRIPTION OUTLINE TEFC - RIGID C - BRAKEMOTOR	
MATERIAL	PROCESS/FINISH
SIZE B	DRAWING NUMBER 607-0235
	SHEET 1 OF 1

B

B

A

A



4

3

2

1