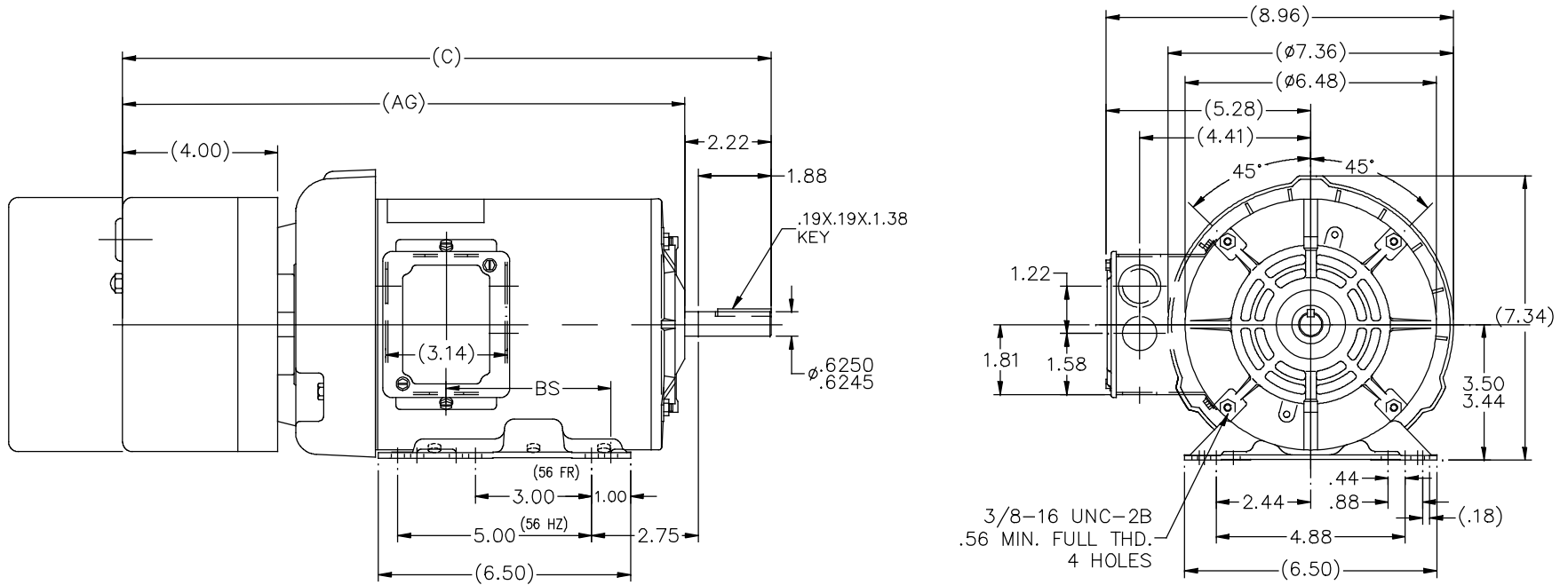


607-0320



NOTES:

1. CONDUIT BOX CAN BE ROTATED 180°.
2. NAMEPLATE TO BE READ FROM CONDUIT BOX SIDE OF MOTOR
3. REMOVABLE BASE.

| DASH | FRAME | C     | AG    | BS   |  |  |  |  |  |  |  |  |  |  |  |
|------|-------|-------|-------|------|--|--|--|--|--|--|--|--|--|--|--|
| 001  | 706   | 16.72 | 14.50 | 3.75 |  |  |  |  |  |  |  |  |  |  |  |
| 002  | 756   | 17.22 | 15.00 | 4.25 |  |  |  |  |  |  |  |  |  |  |  |
| 003  | 806   | 17.72 | 15.50 | 4.75 |  |  |  |  |  |  |  |  |  |  |  |
| 004  | 856   | 18.22 | 16.00 | 5.25 |  |  |  |  |  |  |  |  |  |  |  |
| 005  | 906   | 18.72 | 16.50 | 5.75 |  |  |  |  |  |  |  |  |  |  |  |
| 006  | 956   | 19.22 | 17.00 | 6.25 |  |  |  |  |  |  |  |  |  |  |  |

| NO. | REVISION | BY & DATE | CHK | ANG | ±7'30" | FINISH |  |  |  |  |  |  |  |  |  |
|-----|----------|-----------|-----|-----|--------|--------|--|--|--|--|--|--|--|--|--|
|     |          |           |     |     |        |        |  |  |  |  |  |  |  |  |  |

| TOLERANCES UNLESS SPECIFIED |        | REGAL™ Regal Beloit America, Inc.                                  | DRAWN EL 10/30/2017 |                          |
|-----------------------------|--------|--|---------------------|--------------------------|
| DEC.                        | INCHES |  | CHK                 |                          |
| X                           | ±.1    | TITLE OUTLINE - TEFC - STD<br>56 FR. - STEARNS SERIES 56,000 BRAKE | APPD                | EL 10/30/2017            |
| .XX                         | ±.03   |  | SCALE               | 3=8                      |
| .XXX                        | ±.005  |  | REF                 |                          |
| .XXXX                       | ±.0005 |  | FMF                 |                          |
|                             |        | MAT'L  | PREV                |                          |
| RFP                         |        | CAD FILE 607-0320  | SIZE                | DRAWING NO. PAGE OF REV. |
| DIST                        | WP     |  | B                   | 607-0320 A               |

THIS DRAWING IN DESIGN AND DETAIL IS OUR PROPERTY AND MUST NOT BE USED EXCEPT IN CONNECTION WITH OUR WORK. ALL RIGHTS OF DESIGN AND INVENTION ARE RESERVED. THIS IS AN ELECTRONICALLY GENERATED DOCUMENT - DO NOT SCALE THIS PRINT