

4

3

2

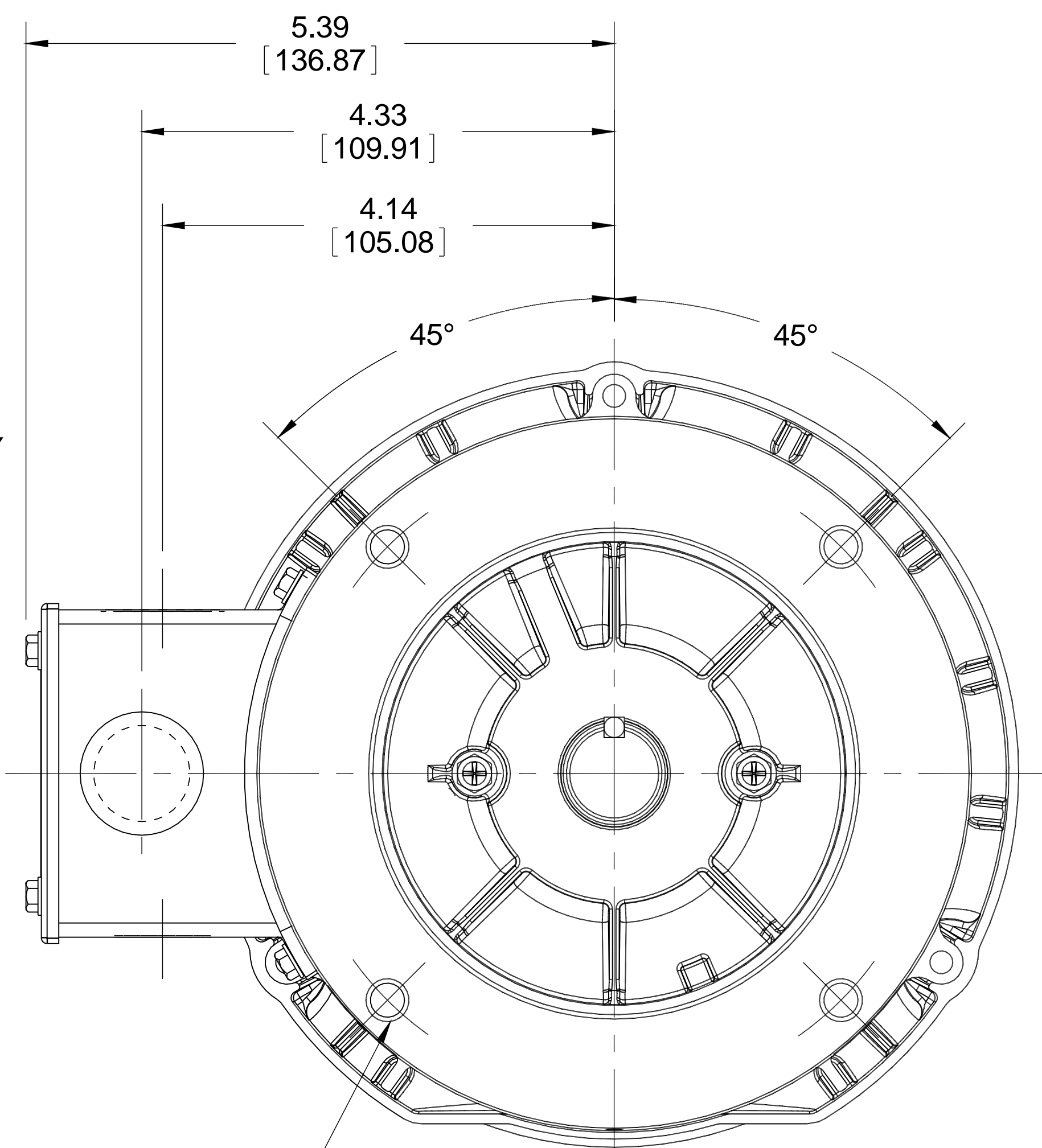
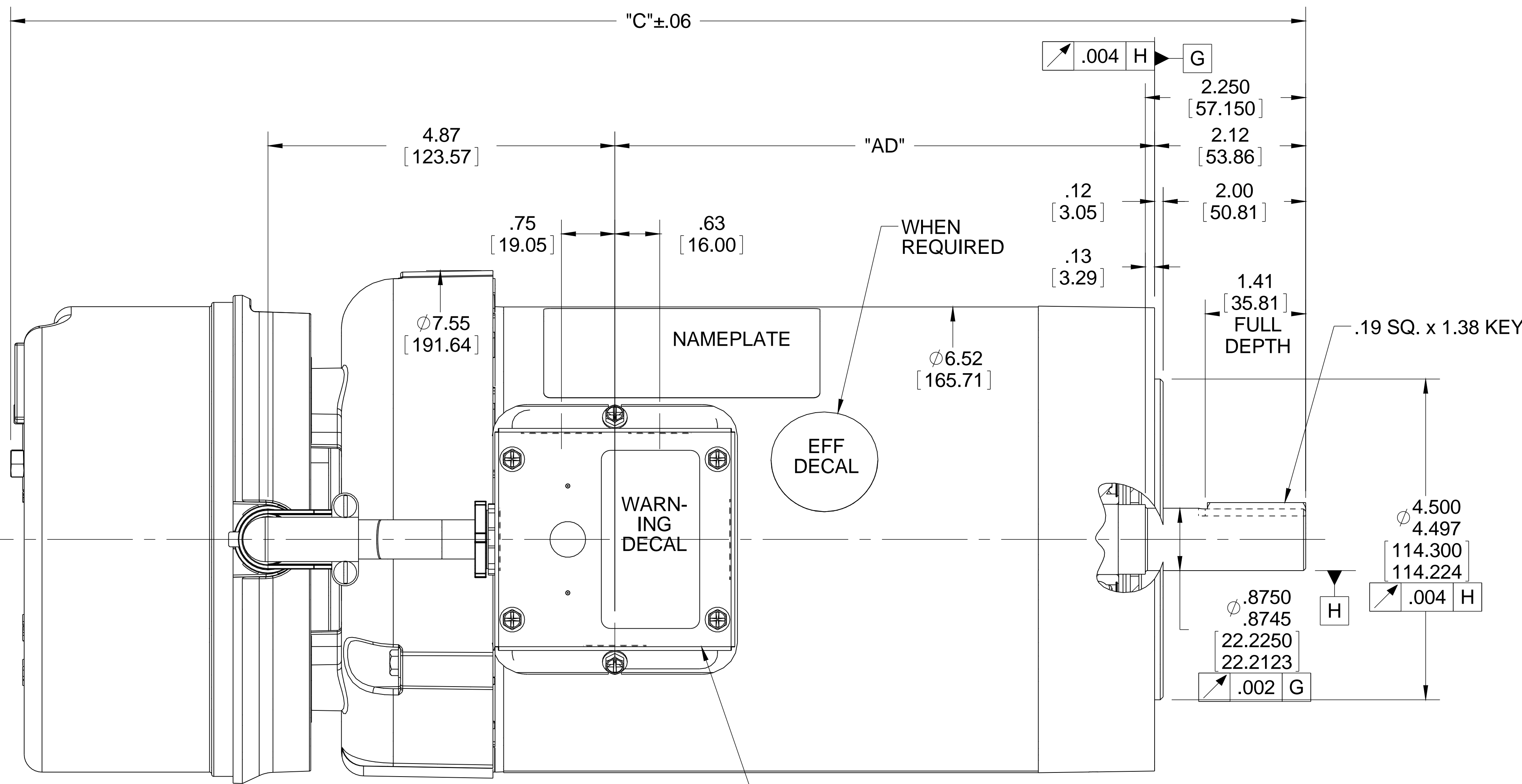
1

B

B

A

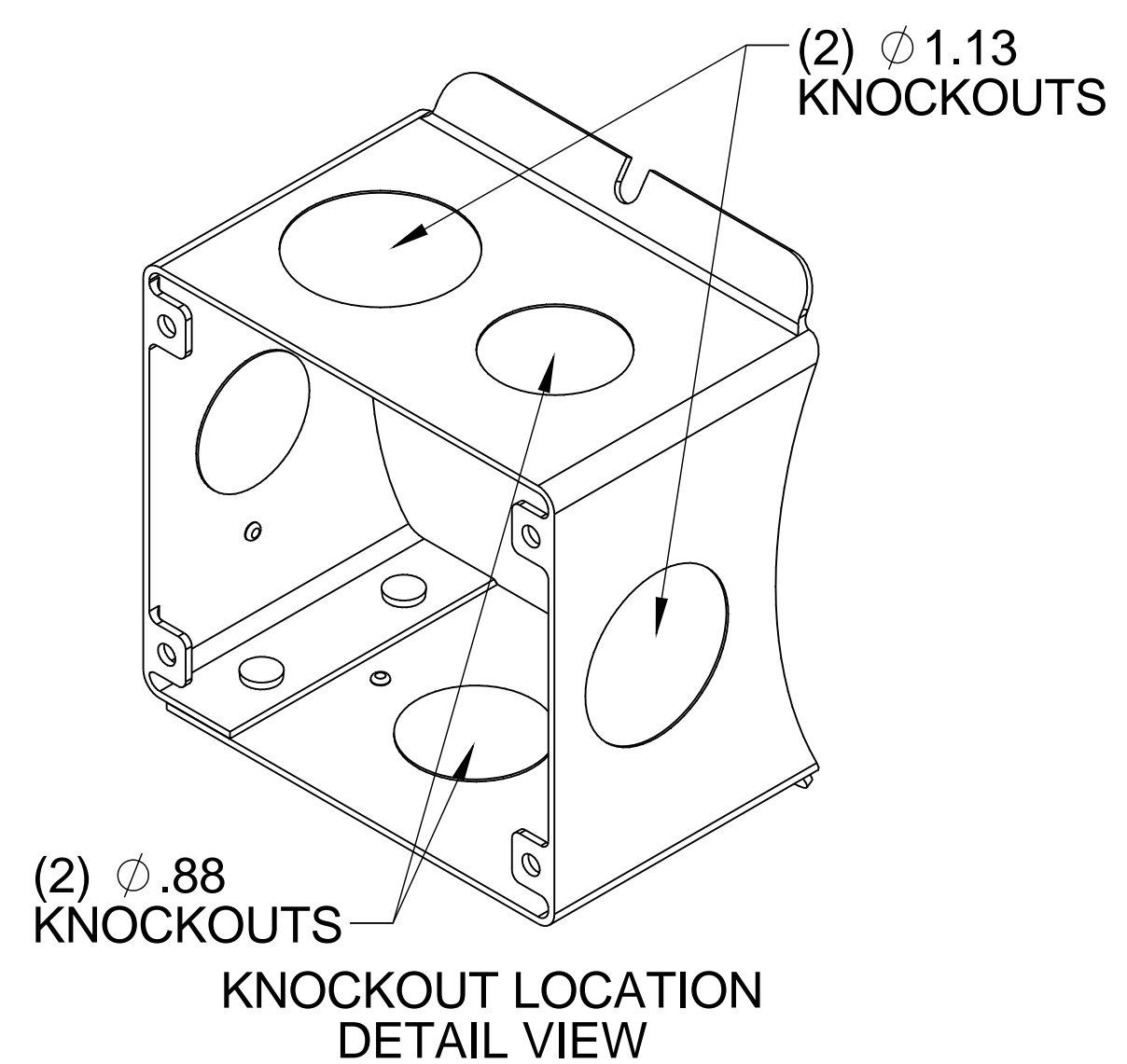
A



CONNECTION DECAL UNDER COVER WHEN REQUIRED

(4) 3/8-16 UNC-2B x .56 DEEP ON A Ø5.875 B.C.

DASH NO.	"C"	"AD"
600	16.73	6.07
650	17.23	6.57
700	17.73	7.07
750	18.23	7.57
800	18.73	8.07



NOTE:  
1) GASKETS THROUGHOUT

DRAWING REVISION D	REVISION BY SL	DATE 04/02/2016
ECO ECO-0098869	APPROVED BY LK	DATE 04/02/2016
ECO DESCRIPTION ADDED WHEN REQUIRED NOTE ON DECAL		
<small>COPYRIGHT REGAL BELOIT AMERICA, INC. ALL RIGHTS RESERVED. PROPRIETARY AND CONFIDENTIAL INFORMATION - THIS DOCUMENT IS THE PROPERTY OF REGAL BELOIT AMERICA, INC. ("OWNER") AND CONTAINS OWNER'S PROPRIETARY INFORMATION. ANY PERSON, CORPORATION OR OTHER FIRM RECEIVING IT IS DEEMED, BY RECEIVING IT, TO AGREE THAT IT, AND/OR ANY PART OF IT, SHALL NOT BE DISCLOSED TO ANY PERSON, CORPORATION OR OTHER ENTITY, DUPLICATED, AND/OR USED, EXCEPT AS EXPRESSLY APPROVED IN WRITING IN ADVANCE BY OWNER. THIS DOCUMENT SHALL BE RETURNED TO OWNER UPON REQUEST. IT MAY BE SUBJECT TO CERTAIN RESTRICTIONS UNDER APPLICABLE EXPORT CONTROL LAWS AND REGULATIONS.</small>		

TOLERANCES UNLESS OTHERWISE SPECIFIED:			
DEC.	INCH	mm	ANGLE
.X	±0.1	[±2.5]	±7° 30"
.XX	±0.03	[±0.76]	
.XXX	±0.005	[±0.127]	
.XXXX	±0.0005	[±0.0127]	
REMOVE BURRS & BREAK SHARP EDGES: .003/.015 [.076/.381] X 45° CORNER FILLETS: R.02 [.51] MACHINED SURFACES: 200 INCH mm 5.1 mm SHOWN IN [BRACKETS]			

DRAWN BY JKJ 09/05/07
DATE
APPROVED BY
DATE
REFERENCE
THIRD ANGLE PROJECTION



DESCRIPTION <b>OUTLINE</b> TEFC - "C" FACE - BRAKEMOTOR	
MATERIAL	PROCESS/FINISH
SIZE B	DRAWING NUMBER 028790
SHEET 1 OF 1	

4

3

2

1