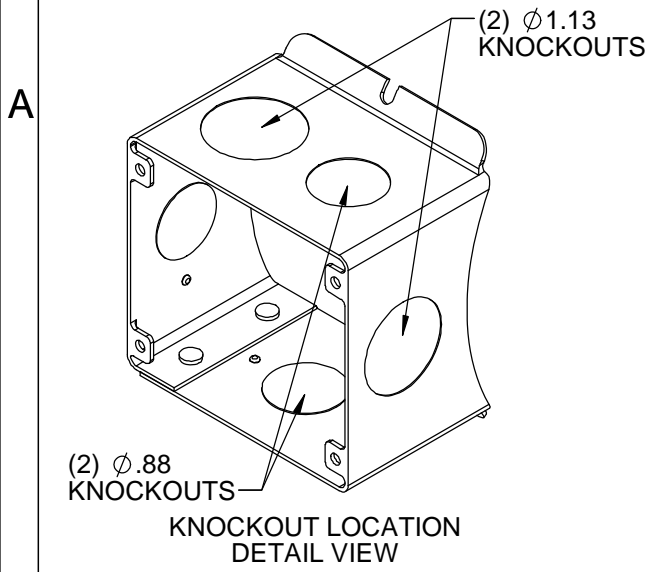


DASH NO	"C"	"AD"
500	15.66	4.81
550	16.16	5.31
600	16.66	5.81
650	17.16	6.31
700	17.66	6.81
750	18.16	7.31
800	18.66	7.81



NOTE:
1) GASKETS THROUGHOUT

DRAWING REVISION K	REVISION BY DS	DATE 04/25/2018	TOLERANCES UNLESS OTHERWISE SPECIFIED: DEC. INCH mm ANGLE .X ±0.1 [±2.5] .XX ±0.01 [±0.25] .XXX ±0.005 [±0.127] .XXXX ±0.0005 [±0.0127] REMOVE BURRS & BREAK SHARP EDGES: .003/.015 [.076/.381] X 45° CORNER FILLETS: R.02 [.51] MACHINED SURFACES: 125 3.2 INCH mm mm SHOWN IN [BRACKETS]	DRAWN BY GRB 07/10/2008	REGAL ™ Regal Beloit America, Inc.
ECO ECO-0143956	APPROVED BY AS	DATE 04/25/2018		DATE	
ECO DESCRIPTION BASE DIMENSION 5.00 WAS 5.50 <small>COPYRIGHT REGAL BELOIT AMERICA, INC. ALL RIGHTS RESERVED. PROPRIETARY AND CONFIDENTIAL INFORMATION - THIS DOCUMENT IS THE PROPERTY OF REGAL BELOIT AMERICA, INC. ("OWNER") AND CONTAINS OWNER'S PROPRIETARY INFORMATION. ANY PERSON, CORPORATION OR OTHER FIRM RECEIVING IT IS DEEMED, BY RECEIVING IT, TO AGREE THAT IT, AND/OR ANY PART OF IT, SHALL NOT BE DISCLOSED TO ANY PERSON, CORPORATION OR OTHER ENTITY, DUPLICATED, AND/OR USED, EXCEPT AS EXPRESSLY APPROVED IN WRITING IN ADVANCE BY OWNER. THIS DOCUMENT SHALL BE RETURNED TO OWNER UPON REQUEST. IT MAY BE SUBJECT TO CERTAIN RESTRICTIONS UNDER APPLICABLE EXPORT CONTROL LAWS AND REGULATIONS.</small>			DATE	DESCRIPTION OUTLINE TEFC - RIGID - BRAKEMOTOR	PROCESS/FINISH
			THIRD ANGLE PROJECTION	REFERENCE	MATERIAL
			SIZE B	DRAWING NUMBER 028848	SHEET 1 OF 1