

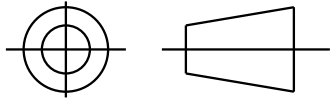
SHEET 1

REV 2

SIZE DRAWING NO. 52A109502

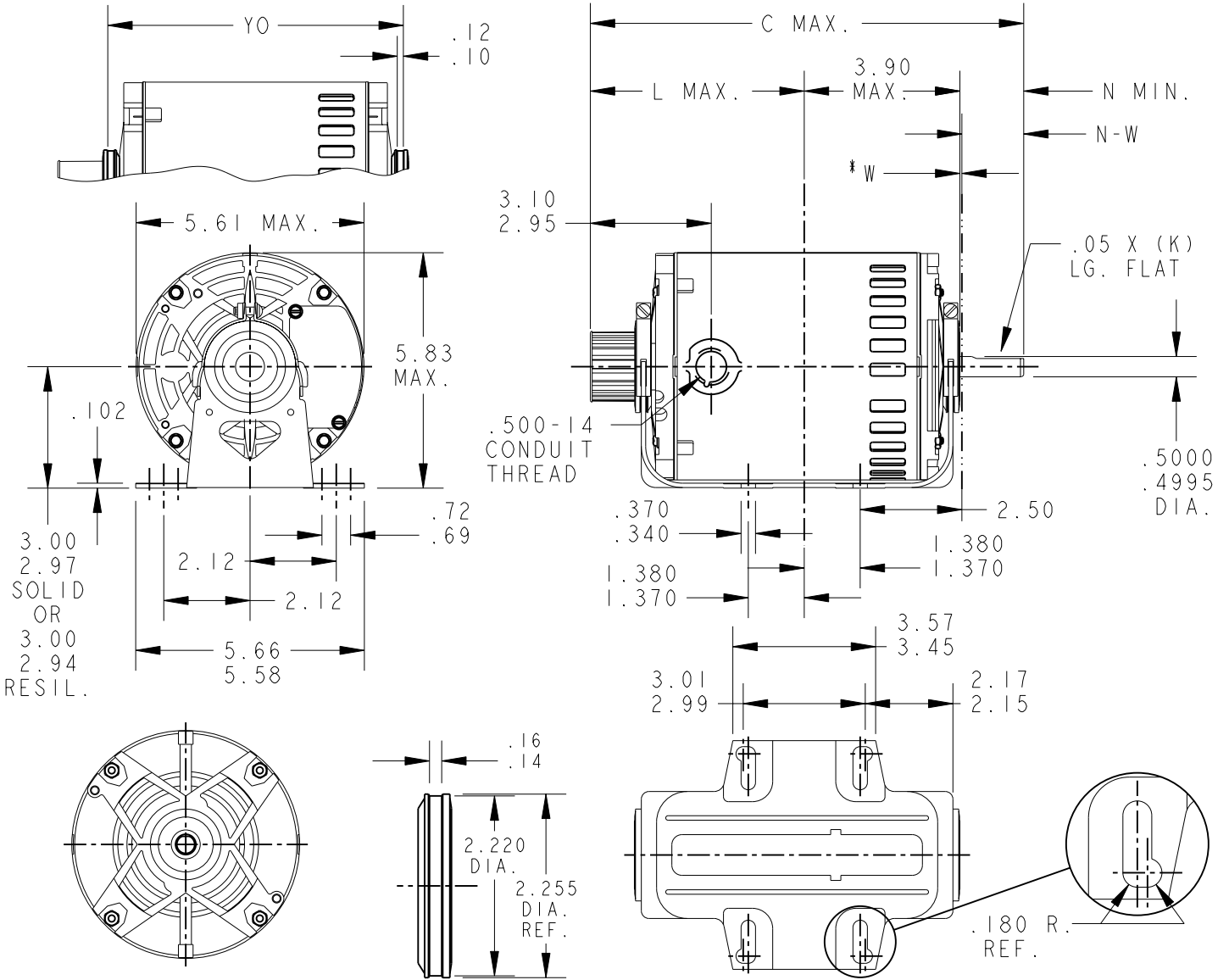
A

THIRD ANGLE PROJECTION



REVISIONS

REV.	DESCRIPTION	DATE	APPROVED
2	CHG TO RBC FORMAT PER ISO5-1777	03/14/06	SUDHA



VIEW SHOWING P.E. VENTILATION OPENINGS

W* IS A CLEARANCE DUE TO VARIATION IN PARTS AND ASSEMBLY.

3	KH	33	48Y	10.28	1.16	4.76	1.50	1.63/1.41	8.41/7.12	
2	KH	32	48Y	10.03	1.16	4.51	1.50	1.63/1.41	8.16/6.87	
1	KH	39	48Y	9.78	1.16	4.26	1.50	1.63/1.41	7.91/6.62	4.91
P	TYPE	GE SIZE	NEMA FR	C	K	L	N	N-W	YO	SHELL REF

SIGNATURES		DATE	<p>REGAL-BELOIT CORPORATION</p>
MODEL	M.D. PAPE	03/10/94	
DETAIL	.	.	
CHECKED	.	.	
ENGRG	.	.	
FOR ADDITIONAL INFO REFER TO:			<p>TITLE</p> <p>OUTLINE</p> <p>PDQ MOTOR - OPEN - RESILIENT BASE - BALL BEARING - SPECIAL MOUNTING HOLES IN BASE</p>
APPLIED PRACTICES	QUALITY	.	
DIMENSIONS ARE IN INCHES ✓	ISSUED	M.D. PAPE 03/10/94	
MATERIAL	SOLID MODEL: 52A109502		<p>SIZE DRAWING</p> <p>A</p> <p>SCALE: 0.250 REF. No: .</p>
			<p>52A109502</p> <p>REV 2</p> <p>SHEET 1 of 1</p>