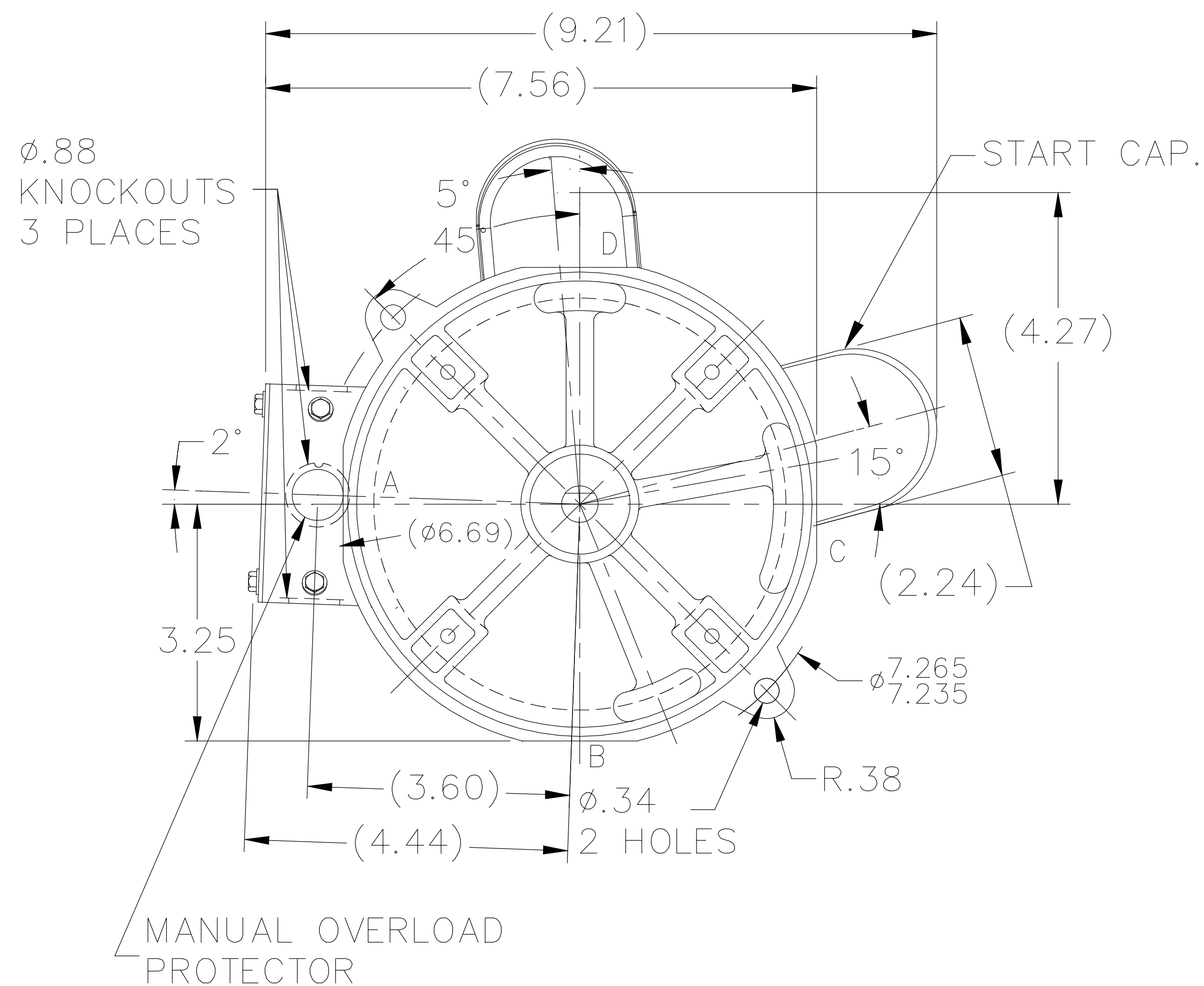
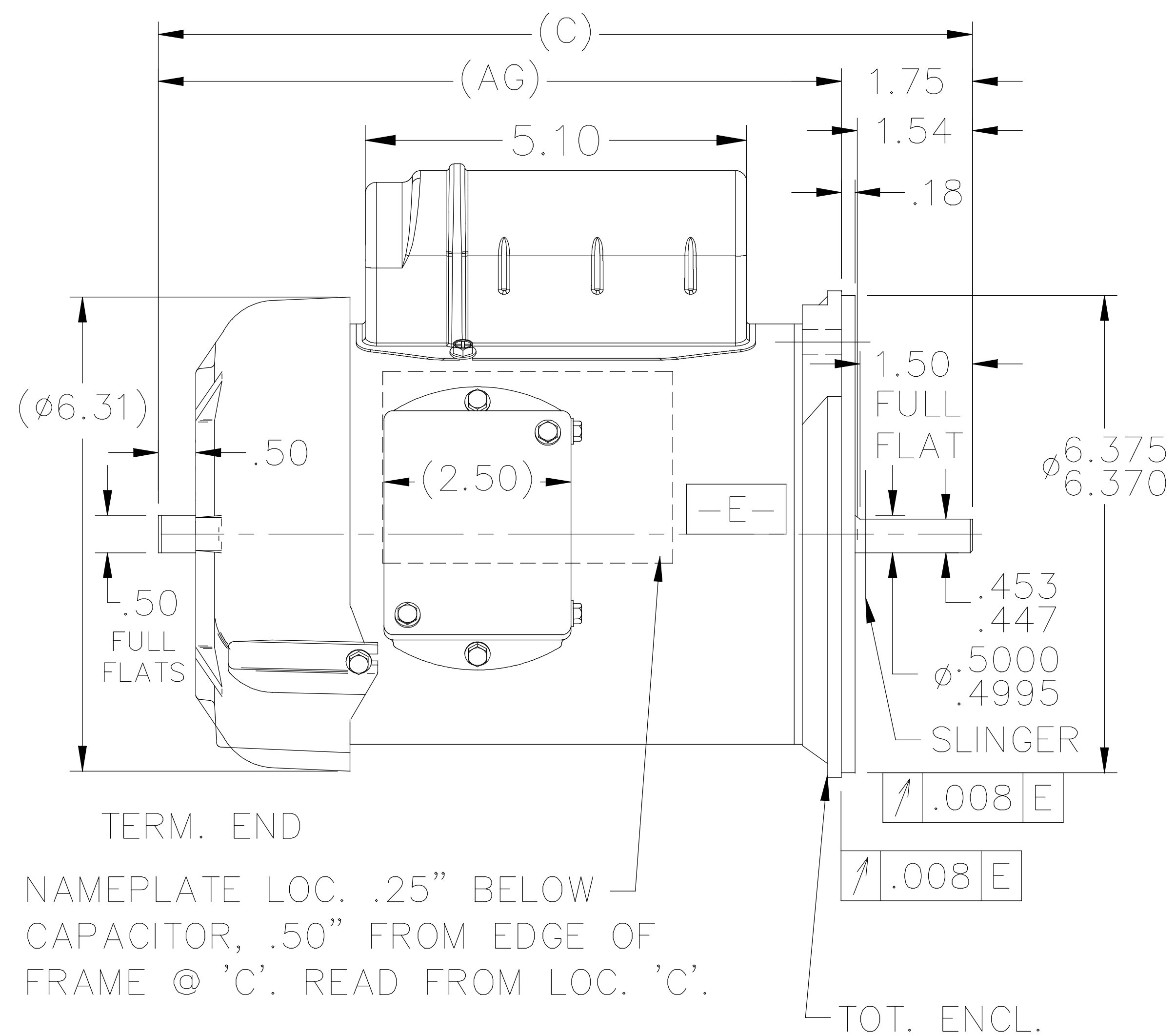


SS403588



DASH	FRAME	C	AG
600		10.31	8.66
625		10.56	8.91
700		11.31	9.66

NO.	REVISION	BY & DATE	CHK	TOLERANCES UNLESS SPECIFIED		MARATHON ELECTRIC	DRAWN VL 01-19-2007			
				DEC.	INCHES					
				.X	±.1	TITLE OUTLINE 48 FRAME N FLANGE	CHK NB 01-19-2007			
				.XX	±.03		APPD DN 01-19-2007			
E	ADDED BIGGER CAP CASE PER ECO-0122084	EL 05/09/2018	EL	.XXX	±.005	MAT'L.	SCALE 5=16			
01	UPDATED AS PER ECN # 26068	UD 10/09/12	PI	.XXXX	±.0005		REF SS400351			
				ANG	±7'30"	FINISH	FMF MU76777			
			RFP			CAD FILE SS403588	PREV ME060038			
THIS DRAWING IN DESIGN AND DETAIL IS OUR PROPERTY AND MUST NOT BE USED EXCEPT IN CONNECTION WITH OUR WORK ALL RIGHTS OF DESIGN AND INVENTION ARE RESERVED THIS IS AN ELECTRONICALLY GENERATED DOCUMENT - DO NOT SCALE THIS PRINT						DIST WP	SIZE A	DRAWING NO. SS403588	PAGE OF	REV. E