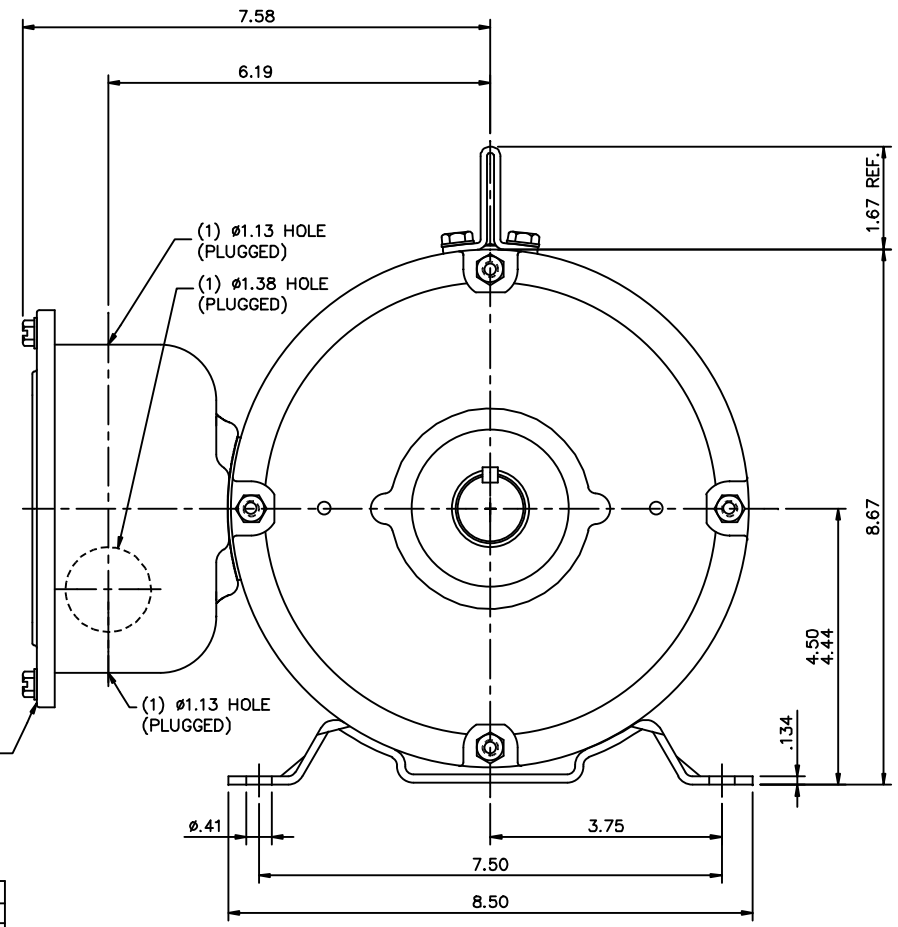


FRAME	"C"	"AD"
1000	14.21	5.88
1050	14.71	6.38
1100	15.21	6.88
1150	15.71	7.38
1200	16.21	7.88
1250	16.71	8.38

DECAL - CONNECTION UNDERCOVER



GASKETS THROUGHOUT

		TOLERANCES UNLESS SPECIFIED				DRAWN YS 03/17/08	
		DEC.	INCHES			CHK	
		.X	±.1	APPD		SCALE 1-2	
		.XX	±.03	TITLE		OUTLINE- 180T FRAME	
		.XXX	±.005	DRIP PROOF- RIGID		REF	
		.XXXX	±.0005	MAT'L.		FMF 182TCDW8016	
		CHK	ANG ±1/2'	FINISH		PREV	
NO.	REVISION	BY & DATE	CHK	RFP	CAD FILE	035655	SIZE B
THIS DRAWING IN DESIGN AND DETAIL IS OUR PROPERTY AND MUST NOT BE USED EXCEPT IN CONNECTION WITH OUR WORK ALL RIGHTS OF DESIGN AND INVENTION ARE RESERVED THIS IS AN ELECTRONICALLY GENERATED DOCUMENT - DO NOT SCALE THIS PRINT				DIST		DRAWING NO. 035655	
						REV.	