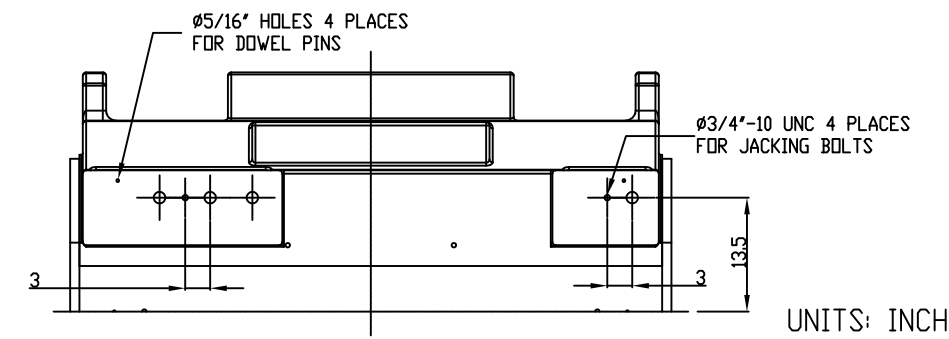
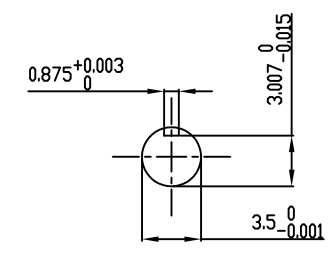


**TECHNICAL INFORMATION**

1. BEARING LUBRICATION DE: TURBINE OIL ISO VG32  
ODE: TURBINE OIL ISO VG32
2. BEARING TYPE DE: M9-90 INS  
ODE: M9-90 INS
3. WINDING TEMP. DETECTORS  
NUMBER AND TYPE: 6xRTD(Pt0°C-100ohm)  
LOCATION: IN STATOR SLOT
4. BEARING TEMP. DETECTORS  
NUMBER AND TYPE: \_\_\_\_\_
5. SPACE HEATER 1 PHASE  
VOLTS: 120 WATTS: 800
6. ROTATION: CCW VIEWED FROM NON DRIVE END  
THIS MOTOR IS UNI DIRECTIONAL
7. MOTOR PAINT COLOR: GRAY
8. APPROX. WEIGHT: 12,500 Lbs
9. ACCESORIES:

**PRELIMINARY  
FOR QUOTATION ONLY  
DO NOT BUILD  
FROM THIS DRAWING**



UNITS: INCHES

DRAWING LIST	
MAIN TERMINAL BOX	130P-7550-68
AUX TERMINAL BOX FOR	
SPACE HEATER	130-7520-50
R.T.D.	130-7522-51
THERMISTOR	N/A
PRODUCTION #	N/A

0	FIRST ISSUE	RC	06/16/14
NO.	REVISION	BY	DATE

MOTOR OUTLINE FOR THREE PHASE INDUCTION MOTOR						
CUSTOMER NAME			P.O. NO.		MOTOR TAG NO.	
OUTPUT HP	POLE	VOLTAGE V	FREQUENCY Hz	FULL LOAD SPEED (min <sup>-1</sup> )	TOSHIBA MODEL NO.	
TYPE	FORM	INS. CLASS	RATING CONT.	FRAME	S.F.	ENCLOSURE
	2	F		6810USS		WP-I
TOSHIBA INTERNATIONAL CORPORATION HOUSTON, TEXAS U.S.A.						
3rd ANGLE PROJ.	PREPARED BY:	DATE:	CHECKED BY:	DATE:	DRAWING NO.:	REV.
	R.CANTU	06/16/14			MDSL0086-71	0