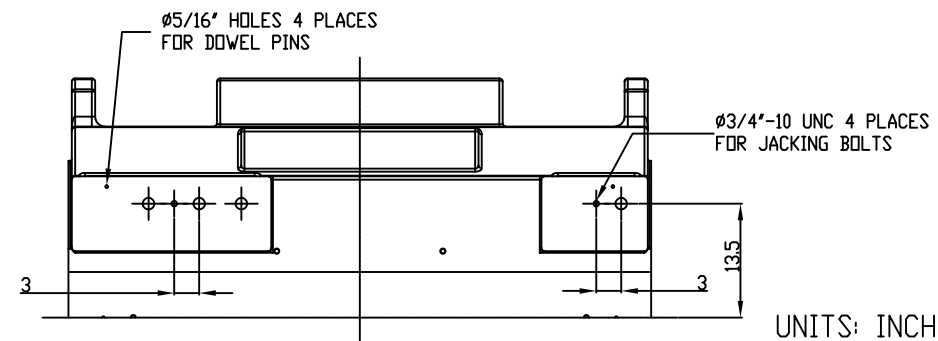
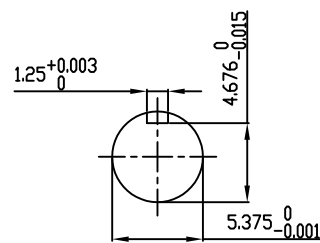


**TECHNICAL INFORMATION**

- BEARING LUBRICATION DE: TURBINE OIL ISO VG32  
ODE: TURBINE OIL ISO VG32
- BEARING TYPE DE: M11-125 INS  
ODE: M11-125 INS
- WINDING TEMP. DETECTORS  
NUMBER AND TYPE: 6xRTD(Pt0°C-100ohm)  
LOCATION: IN STATOR SLOT
- BEARING TEMP. DETECTORS  
NUMBER AND TYPE: \_\_\_\_\_
- SPACE HEATER 1 PHASE  
VOLTS: 120 WATTS: 800
- ROTATION: CCW VIEWED FROM NON DRIVE END  
THIS MOTOR IS BI DIRECTIONAL
- MOTOR PAINT COLOR: GRAY
- APPROX. WEIGHT: 14,000 Lbs
- ACCESORIES:

**PRELIMINARY  
FOR QUOTATION ONLY  
DO NOT BUILD  
FROM THIS DRAWING**



UNITS: INCHES

**DRAWING LIST**

MAIN TERMINAL BOX	
130P-7550-68	
AUX TERMINAL BOX FOR	
SPACE HEATER	130-7520-50
R.T.D.	130-7522-51
THERMISTOR	N/A
PRODUCTION #	N/A

0	FIRST ISSUE	RC	06/16/14
NO.	REVISION	BY	DATE

**MOTOR OUTLINE FOR  
THREE PHASE INDUCTION MOTOR**

CUSTOMER NAME				P.O. NO.		MOTOR TAG NO.	
OUTPUT HP	POLE 8	VOLTAGE V	FREQUENCY Hz	FULL LOAD SPEED (min <sup>-1</sup> )		TOSHIBA MODEL NO.	
TYPE	FORM	INS. CLASS F	RATING CONT.	FRAME 6810US	S.F.	ENCLOSURE WP-I	
TOSHIBA INTERNATIONAL CORPORATION HOUSTON, TEXAS U.S.A.							
3rd ANGLE PROJ.	PREPARED BY: R.CANTU	DATE: 06/16/14	CHECKED BY:	DATE:	DRAWING NO.: MDSL0086-74	REV. 0	