

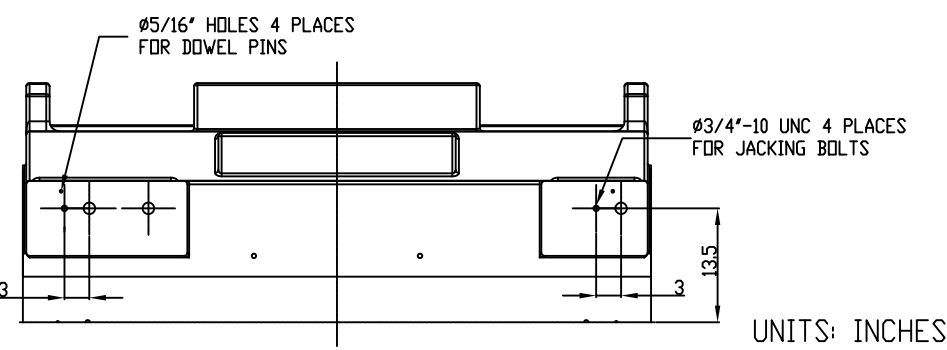
**TECHNICAL INFORMATION**

1. BEARING LUBRICATION DE: MOBIL POLYREX EM OR EQUIVALENT  
ODE: MOBIL POLYREX EM OR EQUIVALENT
2. BEARING TYPE DE: 6328 INS  
ODE: 6328 INS
3. WINDING TEMP. DETECTORS  
NUMBER AND TYPE: 6xRTD(Pt0°C-100ohm)  
LOCATION: IN STATOR SLOT
4. BEARING TEMP. DETECTORS  
NUMBER AND TYPE: \_\_\_\_\_
5. SPACE HEATER 1 PHASE  
VOLTS: 120 WATTS: 800
6. ROTATION: CCW VIEWED FROM NON DRIVE END  
THIS MOTOR IS UNI DIRECTIONAL
7. MOTOR PAINT COLOR: GRAY
8. APPROX. WEIGHT: 14,000 Lbs
9. ACCESORIES:

**PRELIMINARY  
FOR QUOTATION ONLY  
DO NOT BUILD  
FROM THIS DRAWING**

**DRAWING LIST**

MAIN TERMINAL BOX					
130P-7550-68					
AUX TERMINAL BOX FOR					
SPACE HEATER	130-7520-50				
R.T.D.	130-7522-51				
THERMISTOR	N/A				
		0	FIRST ISSUE	RC	06/30/14
PRODUCTION #	N/A	NO.	REVISION	BY	DATE



UNITS: INCHES

**MOTOR OUTLINE FOR  
THREE PHASE INDUCTION MOTOR**

CUSTOMER NAME				P.O. NO.	MOTOR TAG NO.	
OUTPUT HP	POLE 8	VOLTAGE V	FREQUENCY Hz	FULL LOAD SPEED (min <sup>-1</sup> )	TOSHIBA MODEL NO.	
TYPE	FORM	INS. CLASS F	RATING CONT.	FRAME 6813US	S.F.	ENCLOSURE WP-I
TOSHIBA INTERNATIONAL CORPORATION HOUSTON, TEXAS U.S.A.						
3rd ANGLE PROJ.	PREPARED BY: R.CANTU	DATE: 06/30/14	CHECKED BY:	DATE:	DRAWING NO.: MDSL0086-68	REV. 0