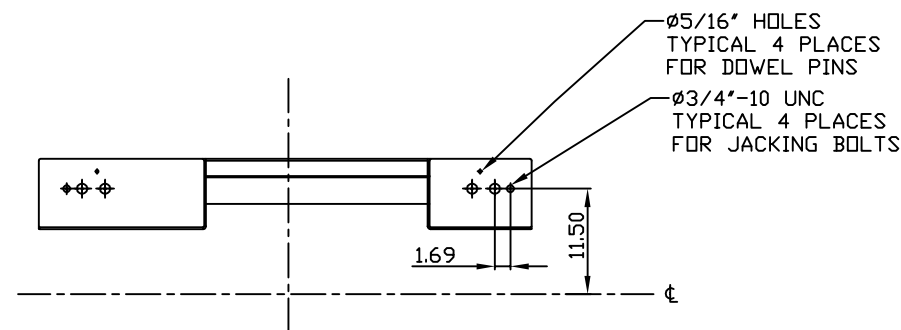
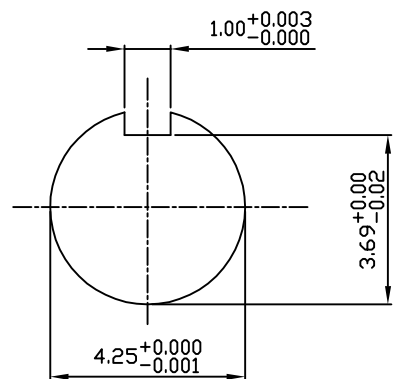


TECHNICAL INFORMATION

1. BEARING LUBRICATION DE: Mobil Polyrex EM
ODE: Mobil Polyrex EM
2. BEARING TYPE DE: 6326C3
ODE: 6326C3 INSULATED
3. WINDING TEMP. DETECTORS
NUMBER AND TYPE: 6xRTD(Pt0°C-100ohm)
LOCATION: IN STATOR SLOT
4. BEARING TEMP. DETECTORS
NUMBER AND TYPE: _____
5. SPACE HEATER 1 PHASE
VOLTS: 120 WATTS: 400
6. ROTATION: CCW VIEWED FROM NON DRIVE END
THIS MOTOR IS BI DIRECTIONAL
7. MOTOR PAINT COLOR: _____
8. APPROX. WEIGHT: 7300 Lbs
9. ACCESORIES: _____



DRAWING LIST

| | | | | | |
|--|----------------|----|-------------|-----|---------|
| MAIN TERMINAL BOX 130-7532-02 | | 3 | UPDATE | RWS | 1/2/14 |
| AUX TERMINAL BOX FOR SPACE HEATER 130-7520-50 | | 2 | UPDATE | MH | 8/15/05 |
| R.T.D. 130-7522-51 | THERMISTOR N/A | 1 | UPDATE | RW | 4/16/03 |
| PRODUCTION # N/A | | 0 | FIRST ISSUE | RW | 3/25/03 |
| NO. | REVISION | BY | DATE | | |

**MOTOR OUTLINE FOR
THREE PHASE INDUCTION MOTOR**

| | | | | | | |
|--|-------------------------|----------------|-------------------|--------------------------------------|---------------------------|----------------|
| CUSTOMER NAME | | | | P.O. NO. | MOTOR TAG NO. | |
| OUTPUT HP | POLE 6 | VOLTAGE V | FREQUENCY Hz | FULL LOAD SPEED (min ⁻¹) | TOSHIBA MODEL NO. | |
| TYPE | FORM | INS. CLASS F | RATING CONT. | FRAME 5811/12 | S.F. | ENCLOSURE WP-I |
| TOSHIBA INTERNATIONAL CORPORATION HOUSTON, TEXAS U.S.A. | | | | | | |
| 3rd ANGLE PROJ. | PREPARED BY: R. WILKINS | DATE: 03/25/03 | CHECKED BY: M. HO | DATE: 04/01/03 | DRAWING NO.: MDSL 0086-03 | REV. 3 |