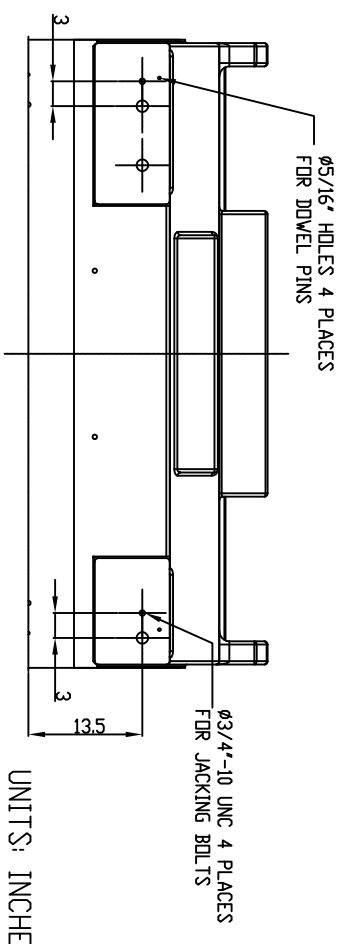
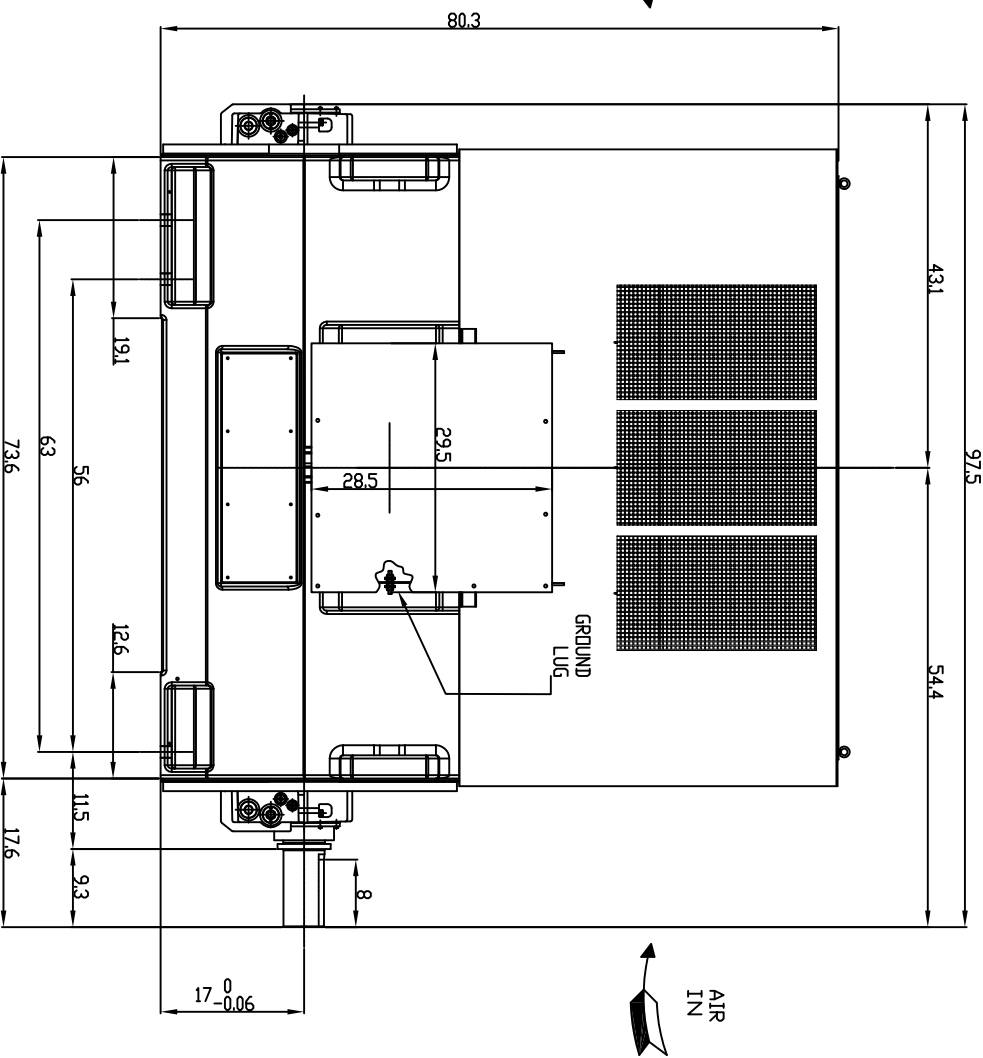
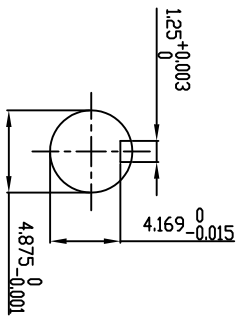
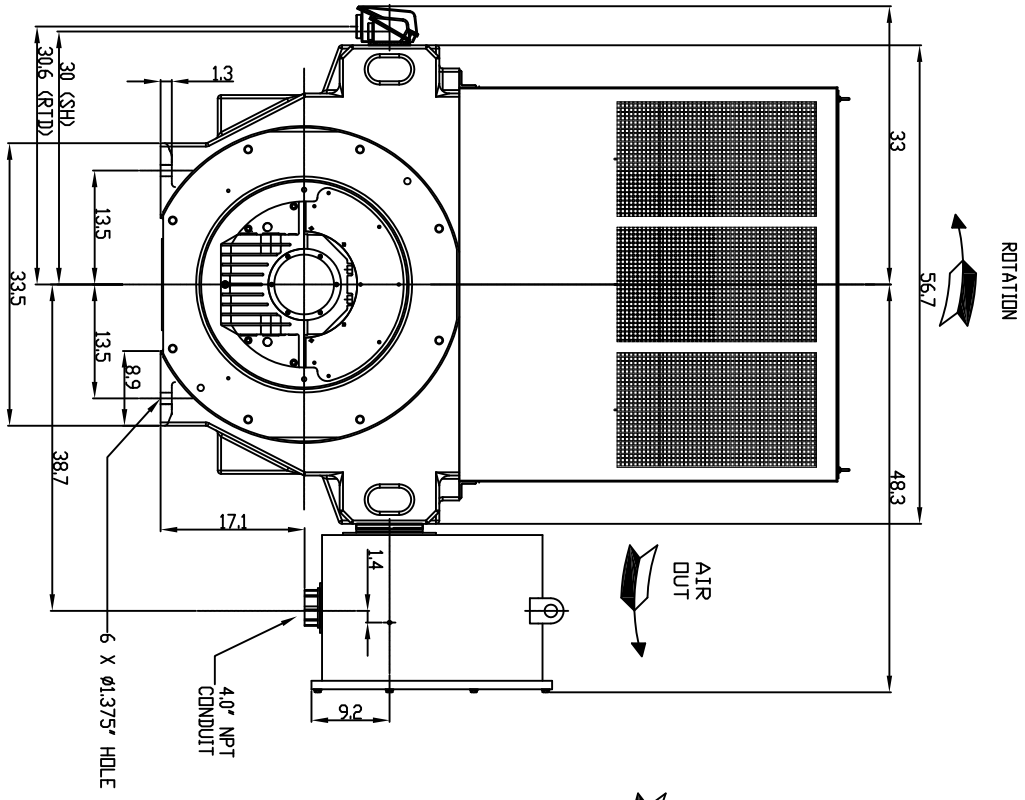


**TECHNICAL INFORMATION**

1. BEARING LUBRICATION DE: TURBINE OIL ISO VG32  
ODE: TURBINE OIL ISO VG32
2. BEARING TYPE DE: M11-125 INS  
ODE: M11-125 INS
3. WINDING TEMP. DETECTORS  
NUMBER AND TYPE: 6xRTD(Pt0C-100ohm)  
LOCATION: IN STATOR SLOT
4. BEARING TEMP. DETECTORS  
NUMBER AND TYPE: \_\_\_\_\_
5. SPACE HEATER \_\_\_\_\_ 1 PHASE  
VOLTS: 120 \_\_\_\_\_ WATTS: 800 \_\_\_\_\_
6. ROTATION: \_\_\_\_\_ CCW \_\_\_\_\_ VIEWED FROM NON DRIVE END  
THIS MOTOR IS \_\_\_\_\_ UNI \_\_\_\_\_ DIRECTIONAL
7. MOTOR PAINT COLOR: GRAY \_\_\_\_\_
8. APPROX. WEIGHT: 14,000 Lbs \_\_\_\_\_
9. ACCESSORIES: \_\_\_\_\_

**PRELIMINARY  
FOR QUOTATION ONLY  
DO NOT BUILD  
FROM THIS DRAWING**



UNITS: INCHES

**DRAWING LIST**

MAIN TERMINAL BOX		130P-7550-68
AUX TERMINAL BOX FOR		
SPACE HEATER	130-7520-50	
R.T.D.	130-7522-51	
THERMISTOR	N/A	
PRODUCTION #	N/A	

NO.	0	FIRST ISSUE	RC	06/17/14
REVISION			BY	DATE

MOTOR OUTLINE FOR THREE PHASE INDUCTION MOTOR				
CUSTOMER NAME			P.O. NO.	MOTOR TAG NO.
OUTPUT	POLE	VOLTAGE	FREQUENCY	FULL LOAD SPEED
HP	4	V	Hz	(min-1)
TYPE	FORM	INS. CLASS	RATING	FRAME
		F	CONT.	6813US
TOSHIBA INTERNATIONAL CORPORATION HOUSTON, TEXAS U.S.A.				
S.F.	ENCLOSURE		WP-1	

3rd ANGLE PROJ.	PREPARED BY:	DATE:	CHECKED BY:	DATE:	DRAWING NO.:	REV.
	R.CANTU	06/17/14			MDSL0086-76	0