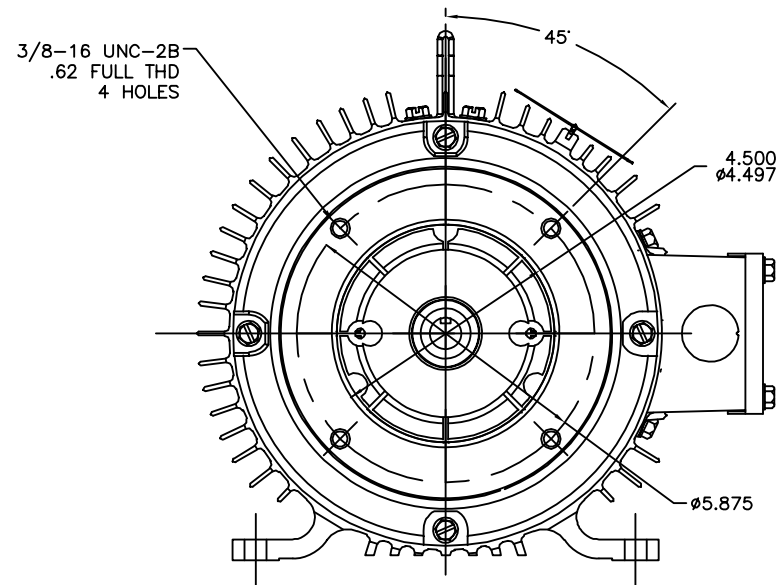
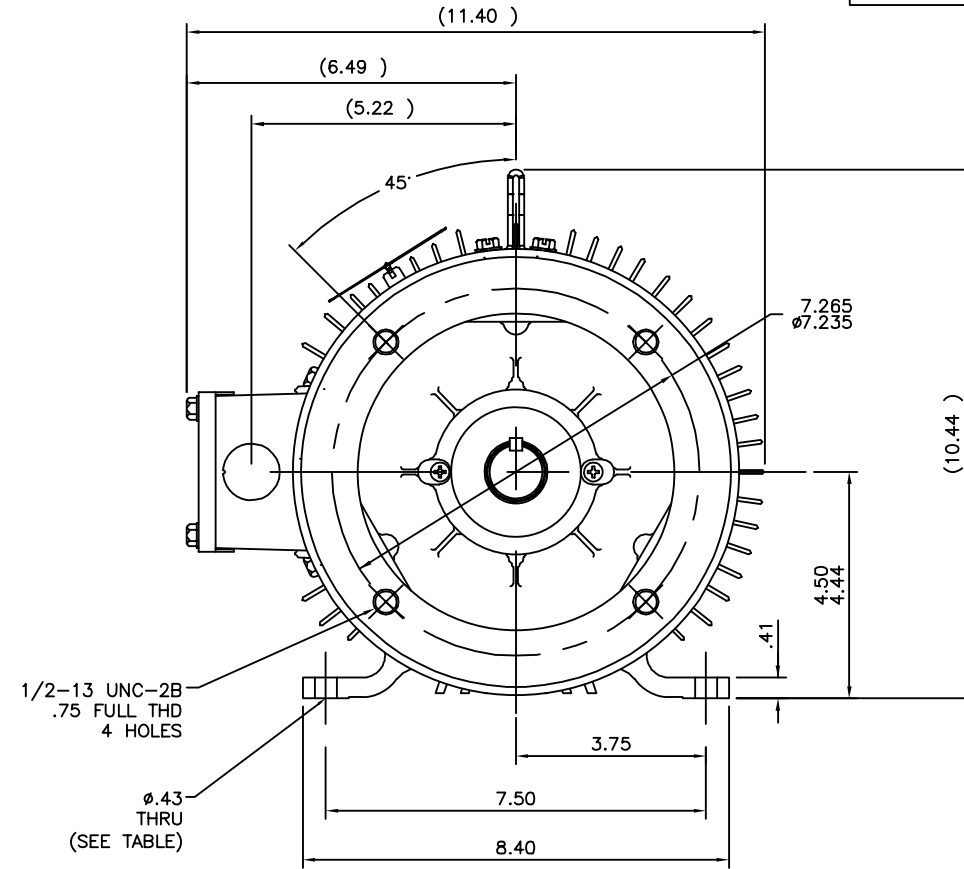
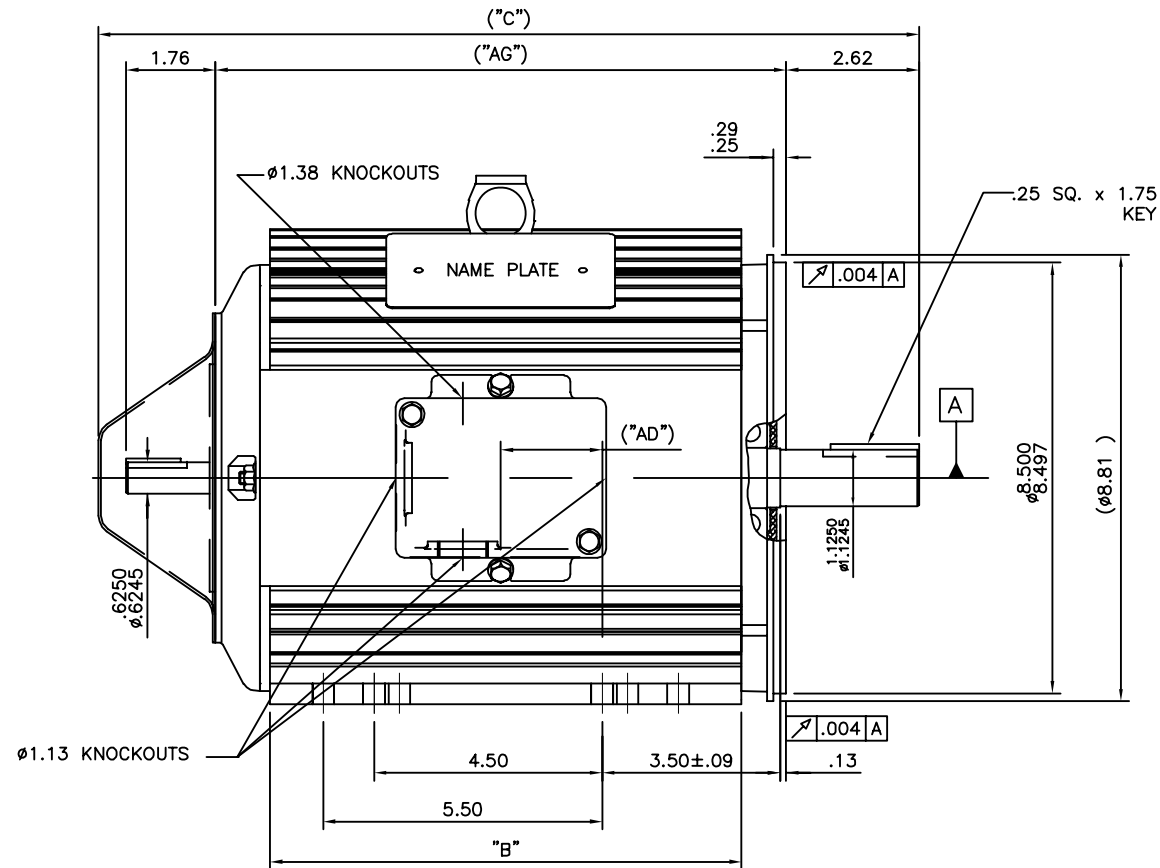


036119ME



LEAD END BRACKET DETAIL
(COVER REMOVED)

950	16.19	2.00	9.3	11.26	12
DASH NO	"C"	"AD"	"B"	"AG"	FOOT HOLES

		TOLERANCES UNLESS SPECIFIED		DRAWN PVR 02/03/15	
		DEC.	INCHES	CHK ST 02/03/15	
		.X	±.1	APPD	
		.XX	±.03	SCALE 3=8	
		.XXX	±.005	REF 035977ME	
		.XXXX	±.0005	MAT'L. BRAKE/ENCODER PROVISION	
		ANG	±1/2°	FINISH	
NO. REVISION		BY & DATE		PREV	
THIS DRAWING IN DESIGN AND DETAIL IS OUR PROPERTY AND MUST NOT BE USED EXCEPT IN CONNECTION WITH OUR WORK ALL RIGHTS OF DESIGN AND INVENTION ARE RESERVED THIS IS AN ELECTRONICALLY GENERATED DOCUMENT - DO NOT SCALE THIS PRINT				RFP CAD FILE 036119ME	
				SIZE B	DRAWING NO. 036119ME
				REV.	

