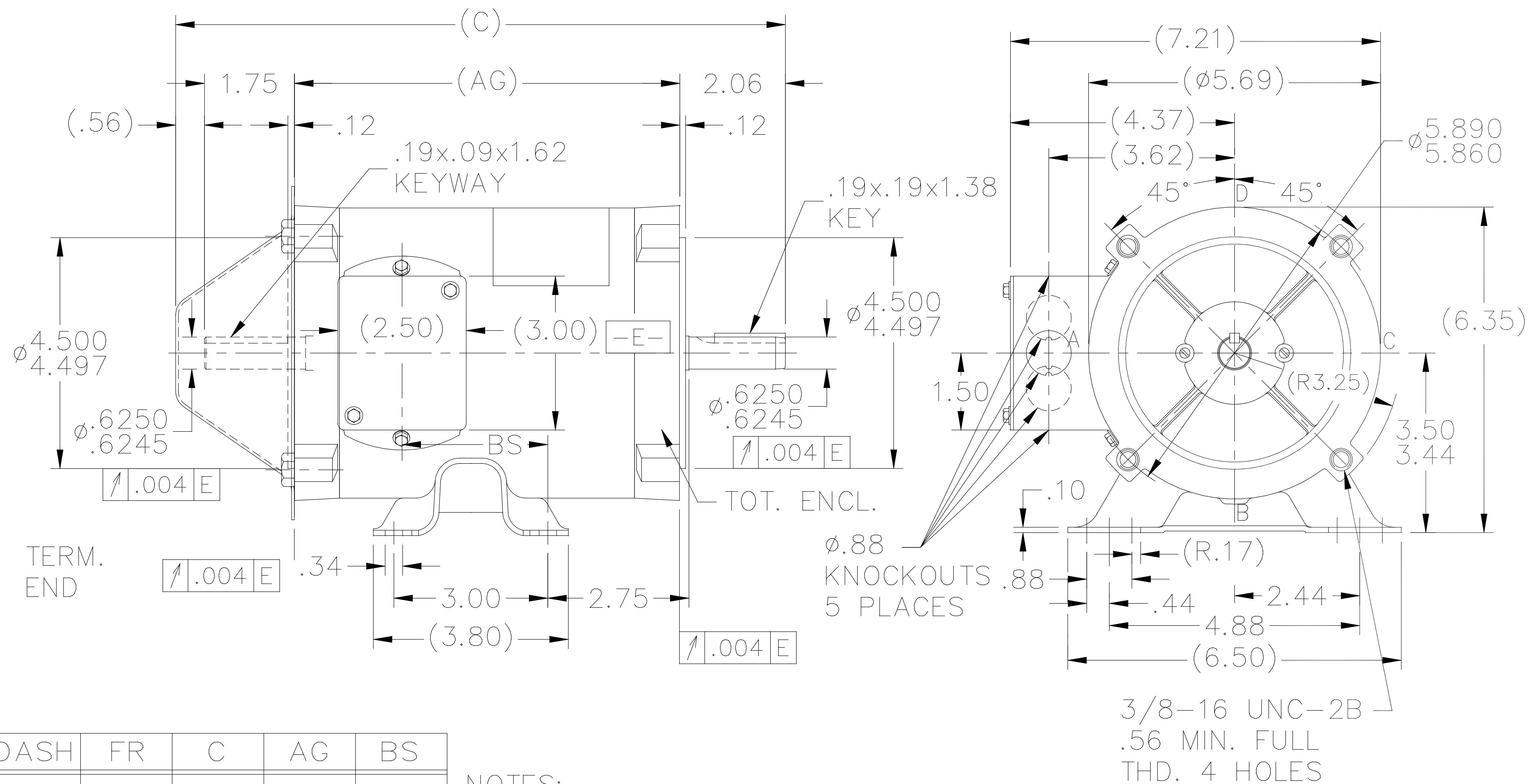


SS403151



DASH	FR	C	AG	BS
575	56	11.88	7.50	2.84

NOTES:
1- NAMEPLATE LOCATED AT 'D' TO BE READ FROM TERMINAL END

3/8-16 UNC-2B
.56 MIN. FULL THD. 4 HOLES

FACE MOUNTING DIMENSIONS ARE TYPICAL FOR EACH END

NO.	REVISION	BY & DATE	CHK	TOLERANCES UNLESS SPECIFIED		REGAL™ Regal Beloit America, Inc.	DRAWN TJB 06-04-2001	
				DEC.	INCHES			
				.X	±.1	TITLE OUTLINE 56 FRAME	CHK ML 06-26-2001	
				.XX	±.03		APPD GK 06-26-2001	
2	REDRAWN IN AUTOCAD	TAT 06-24-2005	DRS	.XXX	±.005	MAT'L.	SCALE 11=32	
1	NEW DRAWING	TJB 06-26-2001		.XXXX	±.0005		REF	
				ANG	±7'30"	FINISH	FMF	
			RFP			CAD FILE ss403151	PREV	
THIS DRAWING IN DESIGN AND DETAIL IS OUR PROPERTY AND MUST NOT BE USED EXCEPT IN CONNECTION WITH OUR WORK ALL RIGHTS OF DESIGN AND INVENTION ARE RESERVED THIS IS AN ELECTRONICALLY GENERATED DOCUMENT - DO NOT SCALE THIS PRINT								
			DIST WP			SIZE A	DRAWING NO. SS403151	PAGE OF 2