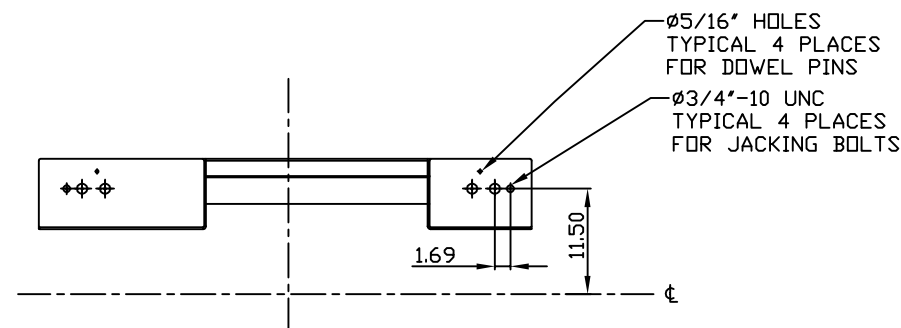
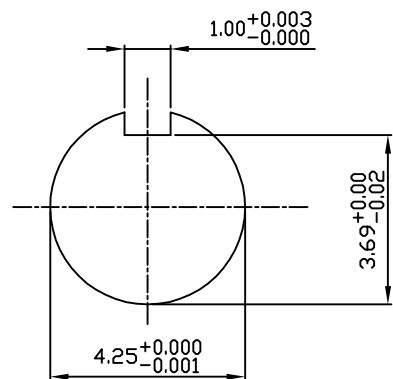


TECHNICAL INFORMATION

1. BEARING LUBRICATION DE: Mobil Polyrex EM
ODE: Mobil Polyrex EM
2. BEARING TYPE DE: 6326C3
ODE: 6326C3 INSULATED
3. WINDING TEMP. DETECTORS
NUMBER AND TYPE: 6xRTD(Pt0°C-100ohm)
LOCATION: IN STATOR SLOT
4. BEARING TEMP. DETECTORS
NUMBER AND TYPE: _____
5. SPACE HEATER 1 PHASE
VOLTS: 120 WATTS: 400
6. ROTATION: CCW VIEWED FROM NON DRIVE END
THIS MOTOR IS BI DIRECTIONAL
7. MOTOR PAINT COLOR: _____
8. APPROX. WEIGHT: 7300 Lbs
9. ACCESORIES: _____



DRAWING LIST

MAIN TERMINAL BOX 130-7532-02		3	UPDATE	RWS	1/2/14
AUX TERMINAL BOX FOR SPACE HEATER 130-7520-50		2	UPDATE	MH	8/15/05
R.T.D. 130-7522-51		1	UPDATE	RW	4/16/03
THERMISTOR N/A		0	FIRST ISSUE	RW	3/25/03
PRODUCTION #	N/A	NO.	REVISION	BY	DATE

**MOTOR OUTLINE FOR
THREE PHASE INDUCTION MOTOR**

CUSTOMER NAME				P.O. NO.	MOTOR TAG NO.	
OUTPUT HP	POLE 6	VOLTAGE V	FREQUENCY Hz	FULL LOAD SPEED (min ⁻¹)	TOSHIBA MODEL NO.	
TYPE	FORM	INS. CLASS F	RATING CONT.	FRAME 5811/12	S.F.	ENCLOSURE WP-I
TOSHIBA INTERNATIONAL CORPORATION HOUSTON, TEXAS U.S.A.						
3rd ANGLE PROJ.	PREPARED BY: R. WILKINS	DATE: 03/25/03	CHECKED BY: M. HO	DATE: 04/01/03	DRAWING NO.: MDSL 0086-03	REV. 3