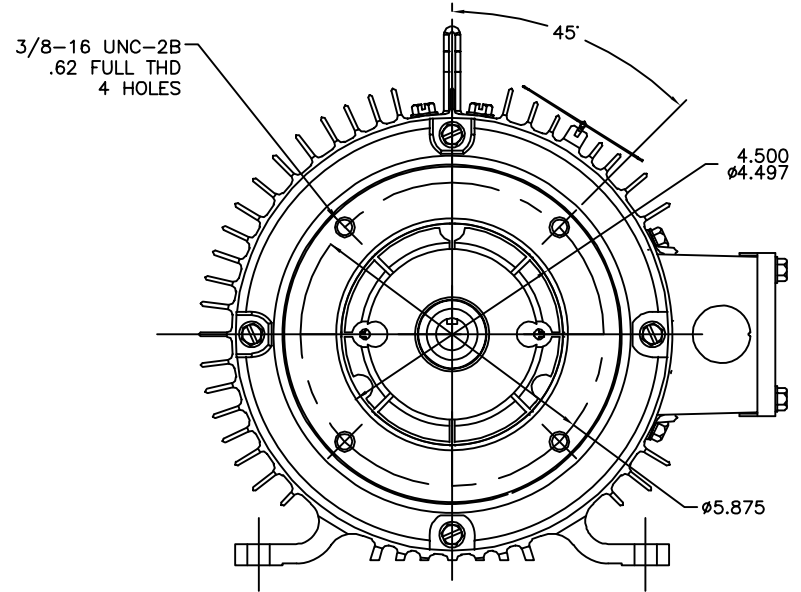
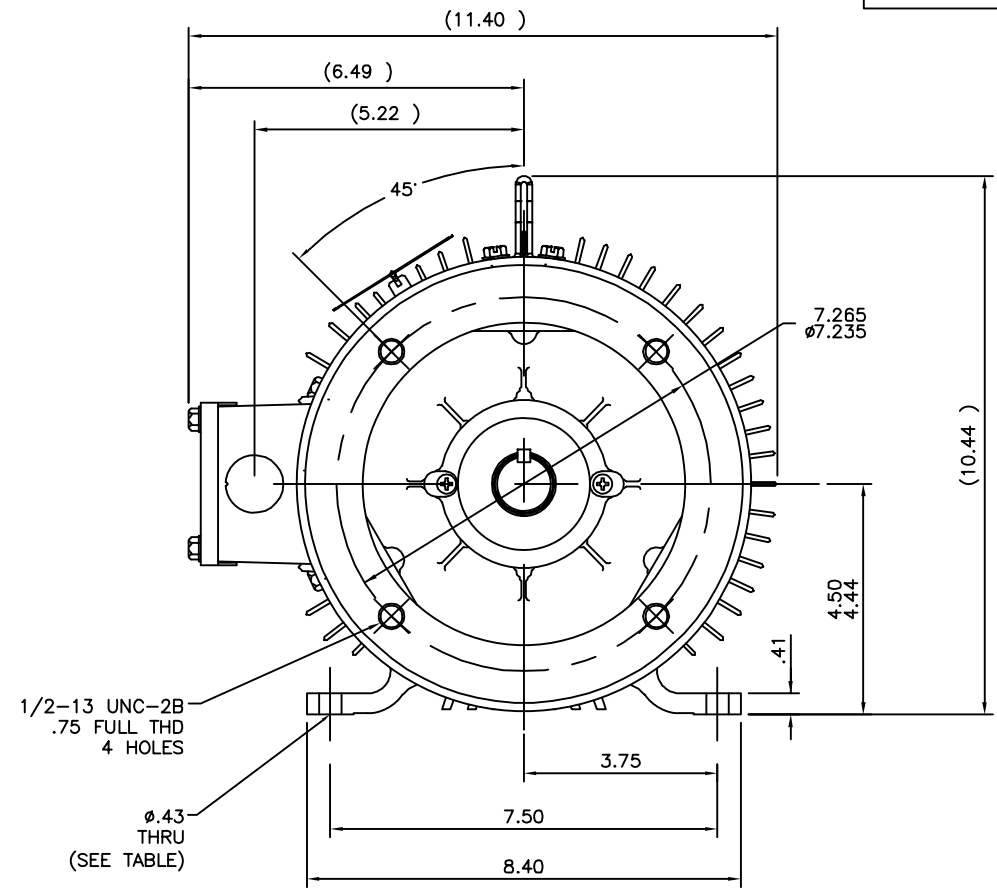
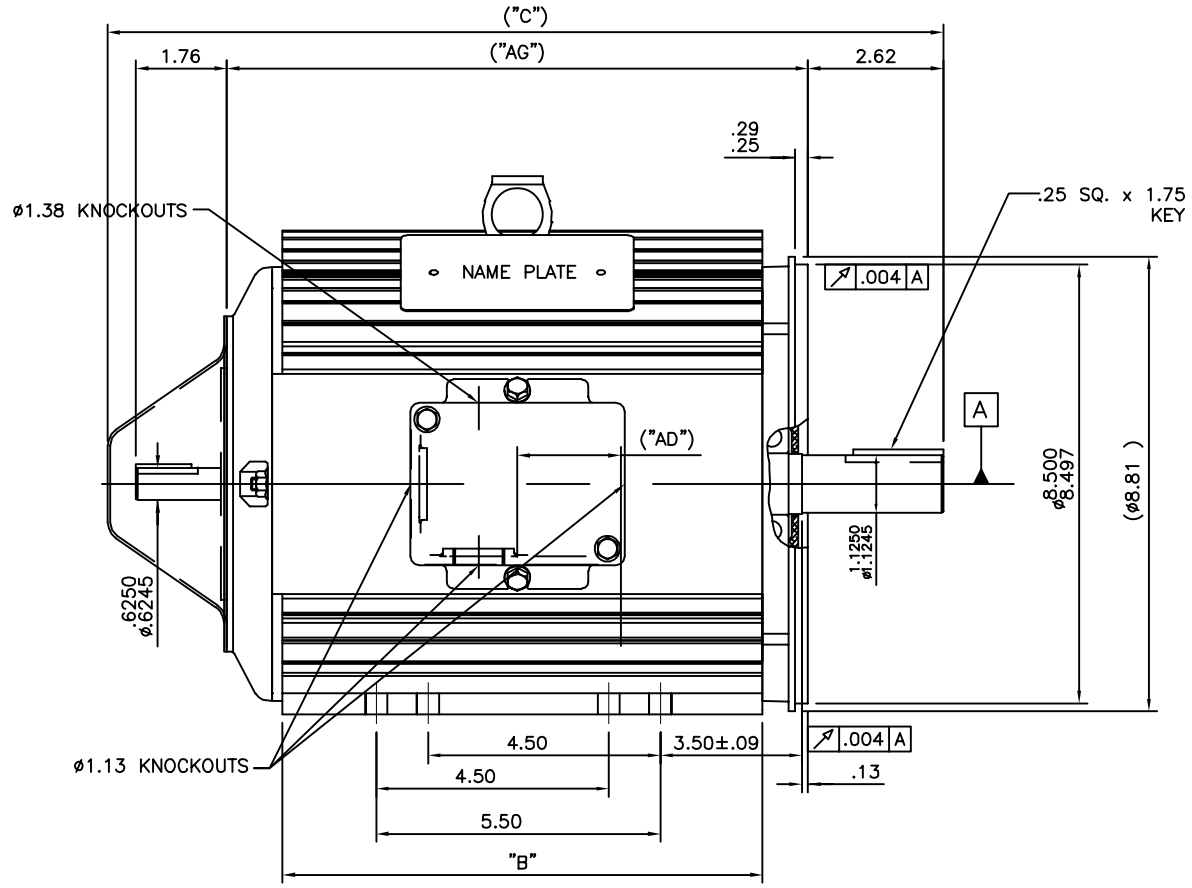


036109ME



LEAD END BRACKET DETAIL
(COVER REMOVED)

1100	17.69	2.75	10.8	12.76	8
DASH NO	"C"	"AD"	"B"	"AG"	FOOT HOLES

		TOLERANCES UNLESS SPECIFIED		MARATHON ELECTRIC		DRAWN PVR 02/03/15	
		DEC.	INCHES			CHK	ST 02/03/15
		.X	±.1			APPD	
		.XX	±.03	TITLE 182/184T-RIGID-TENV-C FACE OUTLINE		SCALE 3=8	
02	HOLE LOCATION UPDATED	SAJ	04/08/15	ST	.XXX	±.005	REF 035977ME
01	REMOVED DASH #950 FROM TABLE	PVR	02/06/15	ST	.XXXX	±.0005	MAT'L. BRAKE/ENCODER PROVISION
NO.	REVISION	BY & DATE	CHK	ANG	±1/2'	FINISH	PREV
THIS DRAWING IN DESIGN AND DETAIL IS OUR PROPERTY AND MUST NOT BE USED EXCEPT IN CONNECTION WITH OUR WORK ALL RIGHTS OF DESIGN AND INVENTION ARE RESERVED THIS IS AN ELECTRONICALLY GENERATED DOCUMENT - DO NOT SCALE THIS PRINT				RFP	CAD FILE	036109ME	SIZE B
				DIST	DRAWING NO.	036109ME	REV. 02