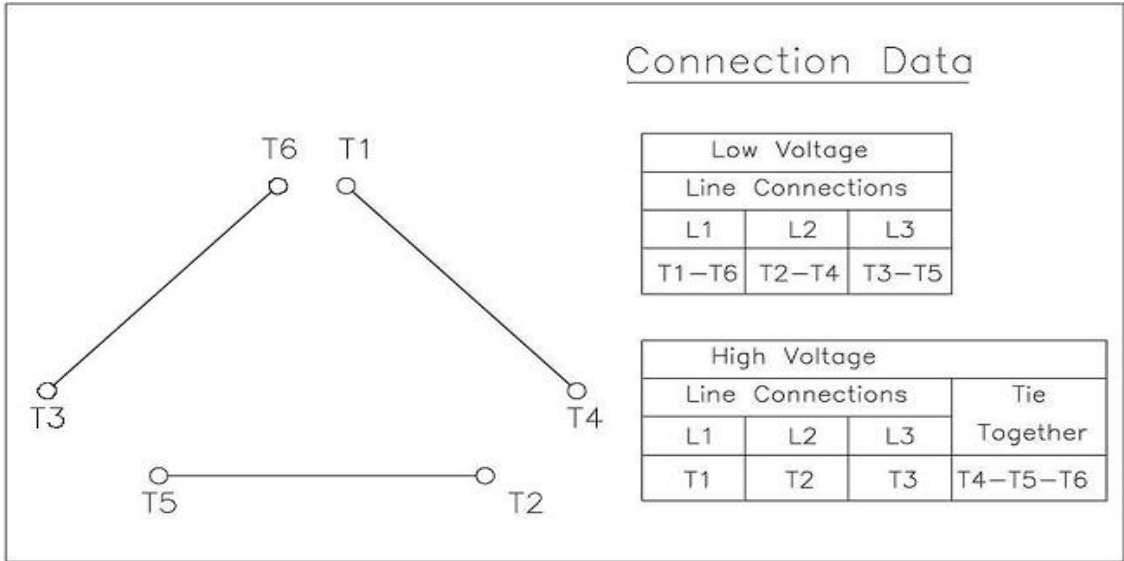


**Three Phase Motor Wiring Diagram**  
**"Across the line" (Full Voltage) Starting**



Customer Name:	
PO No.:	
Customer Tag:	
TIC File No.:	
Motor Model No. 7003WPQK11F-C	

For Further Information Regarding Toshiba motor starting, maintenance or wiring,  
 Please refer to the "Toshiba - A Quality Product for World Energy" Installation and  
 Maintenance Manual, or contact the Toshiba Low Voltage Motor Marketing Department.  
 (800) 231-1412

Prepared By:   
 Date: