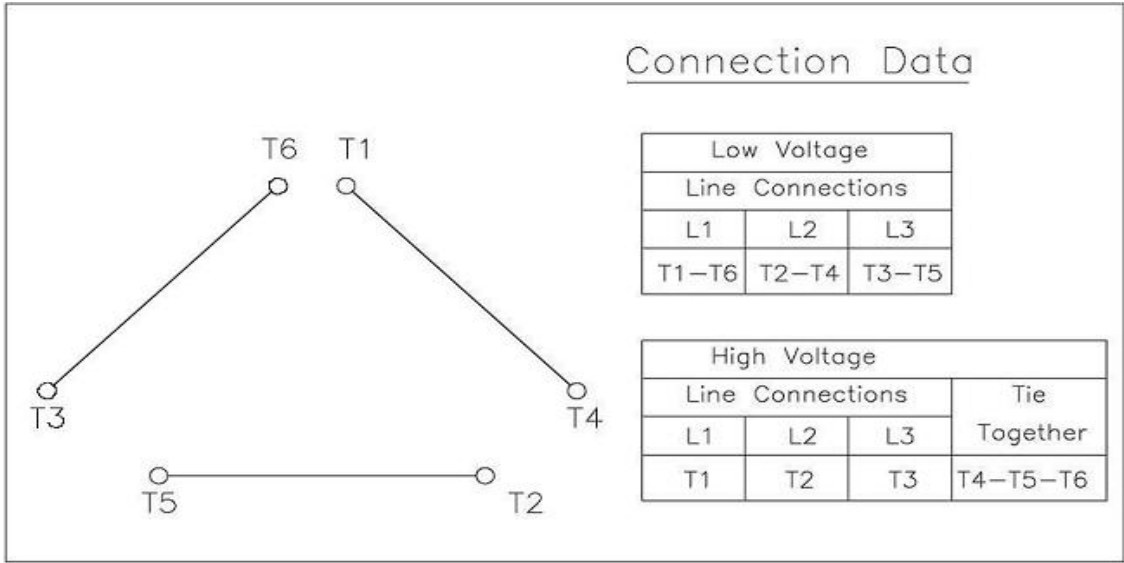


Three Phase Motor Wiring Diagram
"Across the line" (Full Voltage) Starting



Customer Name:	
PO No.:	
Customer Tag:	
TIC File No.:	
Motor Model No. 7003WPQK11F-A	

For Further Information Regarding Toshiba motor starting, maintenance or wiring,
 Please refer to the "Toshiba - A Quality Product for World Energy" Installation and
 Maintenance Manual, or contact the Toshiba Low Voltage Motor Marketing Department.
 (800) 231-1412

Prepared By:
 Date: