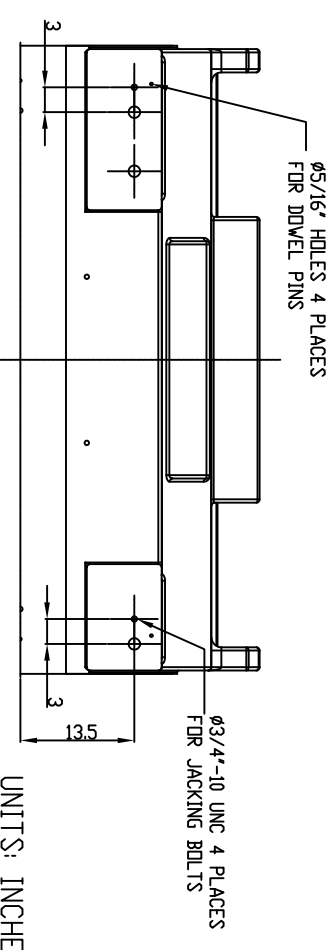
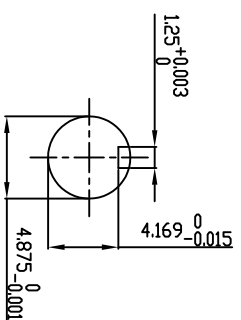
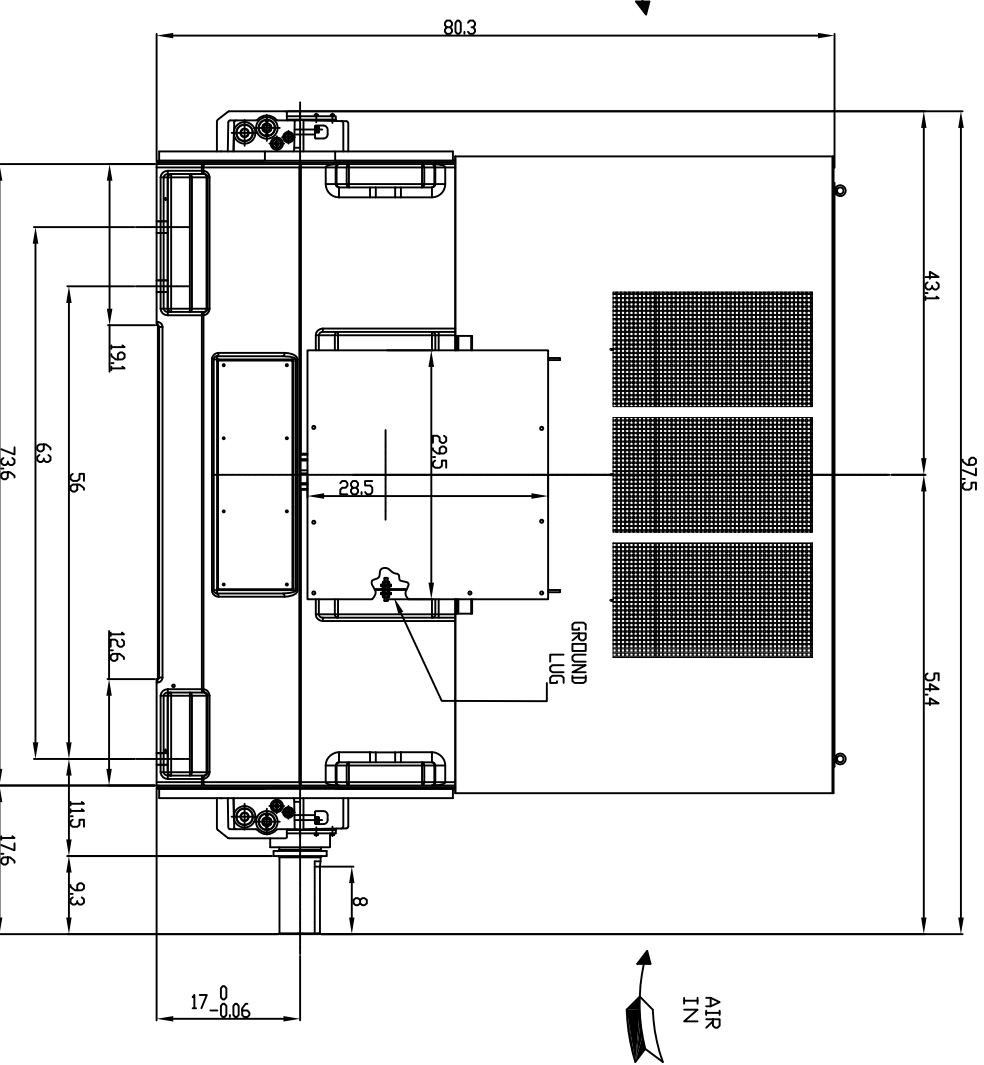
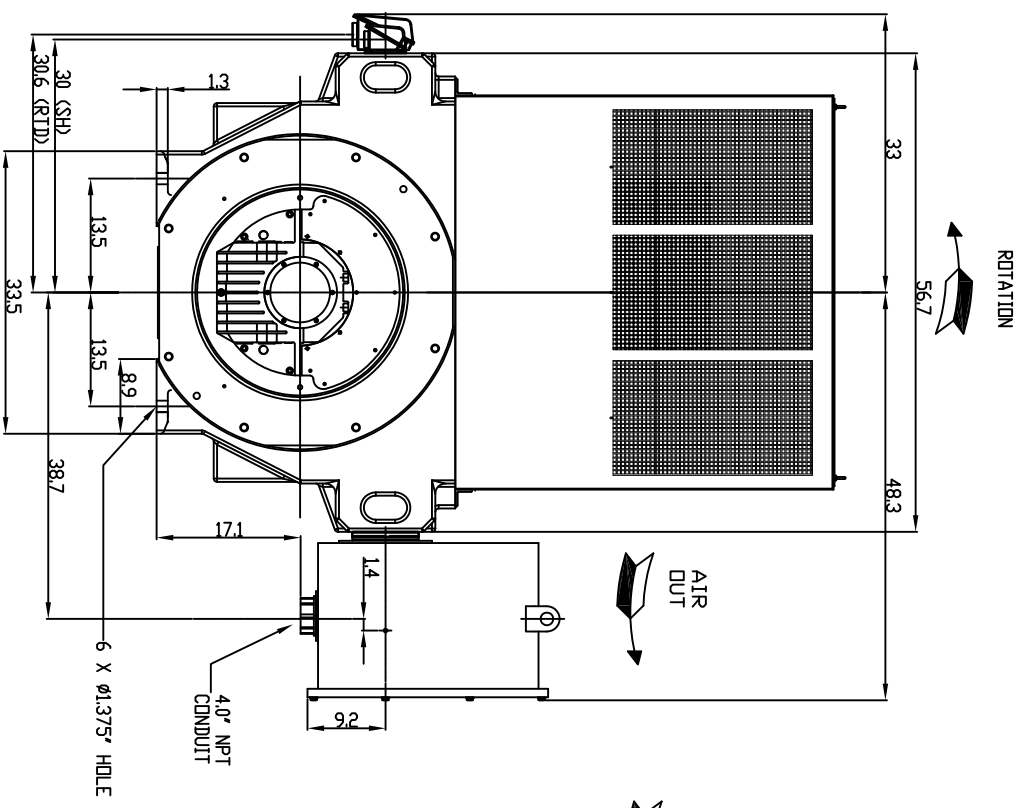


TECHNICAL INFORMATION

1. BEARING LUBRICATION DE: TURBINE OIL ISO VG32
ODE: TURBINE OIL ISO VG32
2. BEARING TYPE DE: M11-125 INS
ODE: M11-125 INS
3. WINDING TEMP. DETECTORS
NUMBER AND TYPE: 6xRTD(Pt0C-100ohm)
LOCATION: IN STATOR SLOT
4. BEARING TEMP. DETECTORS
NUMBER AND TYPE: _____
5. SPACE HEATER _____ 1 PHASE
VOLTS: 120 WATTS: 800
6. ROTATION: CCW VIEWED FROM NON DRIVE END
THIS MOTOR IS UNI DIRECTIONAL
7. MOTOR PAINT COLOR: GRAY
8. APPROX. WEIGHT: 14,000 Lbs
9. ACCESSORIES:

**PRELIMINARY
FOR QUOTATION ONLY
DO NOT BUILD
FROM THIS DRAWING**



UNITS: INCHES

DRAWING LIST

MAIN TERMINAL BOX 130P-7550-68	
AUX TERMINAL BOX FOR	
SPACE HEATER	130-7520-50
R.T.D.	130-7522-51
THERMISTOR	N/A
PRODUCTION #	N/A

NO.	0	FIRST ISSUE	RC	06/17/14
REVISION			BY	DATE

MOTOR OUTLINE FOR THREE PHASE INDUCTION MOTOR				
CUSTOMER NAME			P.O. NO.	MOTOR TAG NO.
OUTPUT	POLE	VOLTAGE	FREQUENCY	FULL LOAD SPEED
HP	4	V	Hz	(min-1)
TYPE	FORM	INS. CLASS	RATING	FRAME
		F	CONT.	6813US
TOSHIBA INTERNATIONAL CORPORATION HOUSTON, TEXAS U.S.A.				
3rd ANGLE PROJ.	PREPARED BY:	DATE:	CHECKED BY:	DATE:
	R.CANTU	06/17/14		
DRAWING NO.:	MDSL0086-76			REV.
				0