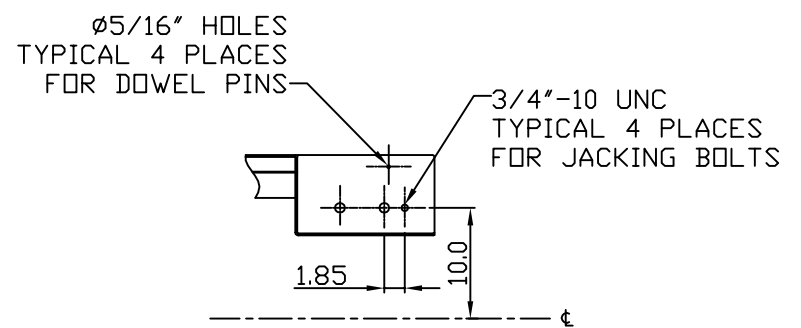


TECHNICAL INFORMATION

1. BEARING LUBRICATION DE: MOBIL POLYREX EM
ODE: MOBIL POLYREX EM
2. BEARING TYPE DE: 6321C3
ODE: 6321C3 (INSULATED)
3. WINDING TEMP. DETECTORS
NUMBER AND TYPE: 6xRTD(Pt0°C-100ohm)
LOCATION: IN STATOR SLOT
4. BEARING TEMP. DETECTORS
NUMBER AND TYPE: N/A
5. SPACE HEATER 1 PHASE
VOLTS: 120 WATTS: 400
6. ROTATION: CCW VIEWED FROM NON DRIVE END
THIS MOTOR IS BI DIRECTIONAL
7. MOTOR PAINT COLOR: GRAY
8. APPROX. WEIGHT: 5000 Lbs.
9. ACCESORIES:

| DRAWING LIST | | NO. | REVISION | BY | DATE |
|--|--------|-----|-------------|-----|--------|
| MAIN TERMINAL BOX 130-7622-55 | | | | | |
| AUX TERMINAL BOX FOR SPACE HEATER 130-7520-50 R.T.D. 130-7522-51 THERMISTOR - | | 1 | UPDATE | RWS | 1/2/14 |
| PRODUCTION # - | | 0 | FIRST ISSUE | MH | 012904 |
| UNITS: | INCHES | | | | |



| MOTOR OUTLINE FOR THREE PHASE INDUCTION MOTOR | | | | | | | | | |
|--|----------------------|-----------------|---------------------------|---|--------------|-------------------|-------------------|------|---|
| CUSTOMER NAME | | | | P.O. NO. | | MOTOR TAG NO. | | | |
| OUTPUT HP | POLE | VOLTAGE V | FREQUENCY Hz | FULL LOAD SPEED (min ⁻¹) | | TOSHIBA MODEL NO. | | | |
| TYPE | FORM | INS. CLASS F | RATING CONT. | FRAME 5011/12US | | S.F. | ENCLOSURE WP-I | | |
| TOSHIBA INTERNATIONAL CORPORATION HOUSTON, TEXAS U.S.A. | | | | | | | | | |
| 3rd ANGLE PROJ. | PREPARED BY: M.HO | DATE: 012904 | CHECKED BY: D. HENSLEY | DATE: 012904 | DRAWING NO.: | MDSL0086-06 | | REV. | 1 |