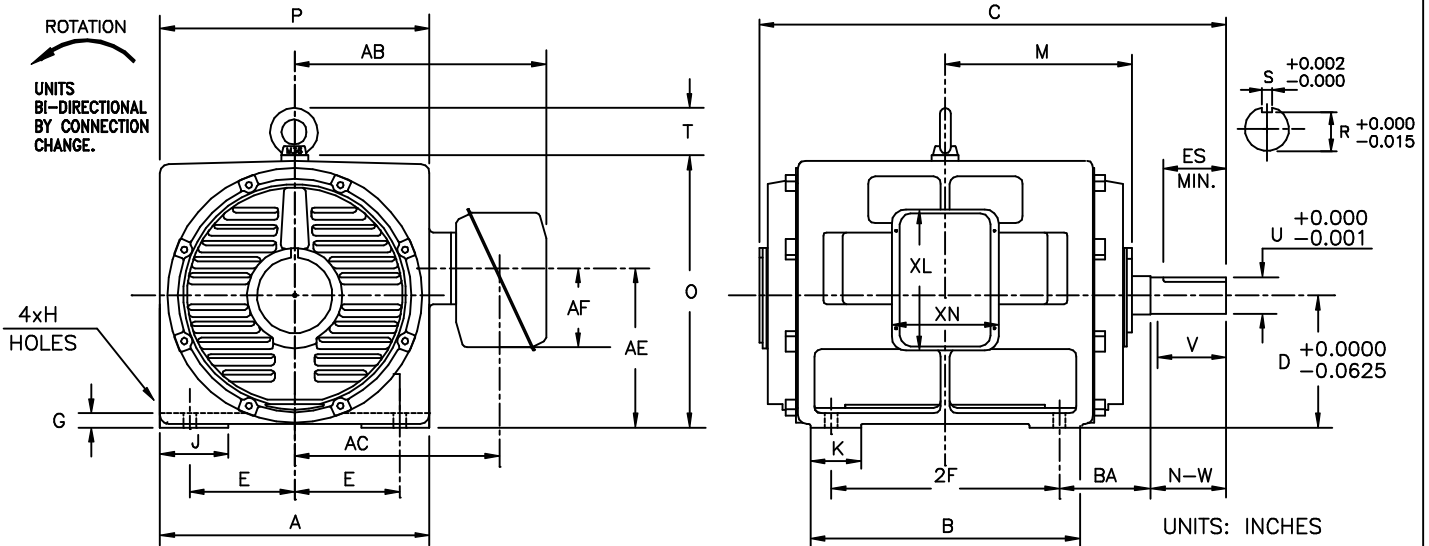


| | |
|------------|-------------|
| INDEX | MDSL0081-08 |
| REV. LEVEL | 1 |
| SHEET | 1 OF 1 |

TOSHIBA/HOUSTON

DRIP-PROOF
HORIZONTAL FOOT-MOUNTED
2300/4160V STOCK MOTORS

Fr. 587-5810
6-8 POLE
DIRECT COUPLE



| FRAME SIZE | MOUNTING | | | | CONDUIT BOX | | | | | | |
|------------|----------|------|------|-------|-------------|-------|-------|------|-----|------|------|
| | E | 2F | H | BA | AA | AB | AC | AE | AF | XL | XN |
| 587US | 11.50 | 25.0 | 1.38 | 10.00 | 4.00 | 27.56 | 22.44 | 17.5 | 8.7 | 15.5 | 11.7 |
| 5810US | 11.50 | 36.0 | 1.38 | 10.00 | 4.00 | 27.56 | 22.44 | 17.5 | 8.7 | 15.5 | 11.7 |

| FRAME SIZE | MOTOR DIMENSIONS | | | | | | | | | | |
|------------|------------------|-------|-------|-------|------|------|------|-------|-------|-------|------|
| | A | B | C | D | G | J | K | M | O | P | T |
| 587US | 29.52 | 29.52 | 51.16 | 14.50 | 1.57 | 7.48 | 5.51 | 20.47 | 29.84 | 29.52 | 5.18 |
| 5810US | 29.52 | 40.55 | 61.98 | 14.50 | 1.57 | 7.48 | 9.84 | 25.79 | 29.84 | 29.52 | 5.18 |

| FRAME SIZE | SHAFT EXTENSION | | | KEY SEAT | | | BEARINGS | | MAXIMUM WEIGHT |
|------------|-----------------|------|-------|----------|-------|-------|----------|------|----------------|
| | N-W | V | U | R | S | ES | LS | OS | |
| 587US | 8.27 | 8.25 | 4.000 | 1.000 | 0.500 | 6.875 | 6322 | 6320 | lbs. |
| 5810US | 8.27 | 8.25 | 4.000 | 1.000 | 0.500 | 6.875 | 6322 | 6320 | lbs. |

ALL DATA SUBJECT TO CHANGE WITHOUT NOTICE.
FOR CONSTRUCTION USE ONLY CERTIFIED DATA.

FOR REFERENCE PRELIMINARY CERTIFIED

NOTES:

1. DIMENSION V REPRESENTS LENGTH OF STRAIGHT PART OF SHAFT.
2. CONDUIT BOX MAY BE ROTATED IN 90° INCREMENTS AND MAY BE MOUNTED ON OPPOSITE SIDE ON SPECIAL ORDER.
3. KEY DIMENSIONS EQUAL S x S x 3.00 (MOTOR SUPPLIED WITH KEY)
4. MOTOR WEIGHT SHOWN IS MAXIMUM HORSEPOWER IN FRAME.

CUSTOMER: _____ P.O. NO.: _____ TAG NO.: _____

MOTOR MODEL NO.: _____ TOSHIBA FILE NO.: _____

HP: _____ RPM (SYN.): _____ VOLTAGE: _____ Hz: _____

FRAME SIZE: _____ LOG NO.: _____ LOG REV. LEVEL: _____

REMARKS: _____

PER: _____ ISSUE DATE: _____ SUPERSEDES: _____