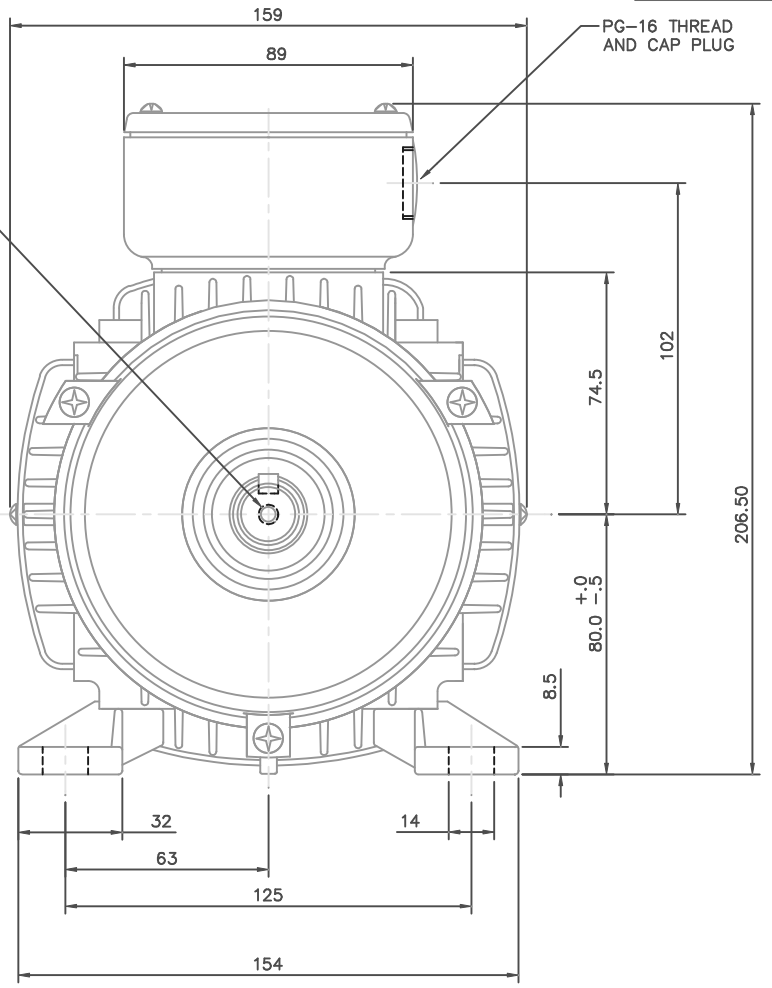
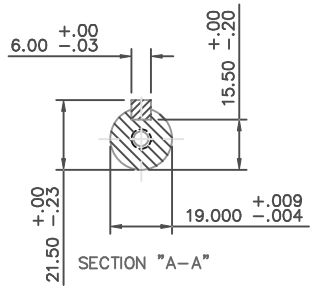


M6-1.00 x 16 DEEP
R.H. THREADED SHAFT



PG-16 THREAD
AND CAP PLUG



NO.		REVISION	BY & DATE	CHK	ANG	±7°30"	FINISH	PREV				
<p>THIS DRAWING IN DESIGN AND DETAIL IS OUR PROPERTY AND MUST NOT BE USED EXCEPT IN CONNECTION WITH OUR WORK. ALL RIGHTS OF DESIGN AND INVENTION ARE RESERVED. THIS IS AN ELECTRONICALLY GENERATED DOCUMENT - DO NOT SCALE THIS PRINT</p>							RFP	CAD FILE	16986100ME	SIZE	DRAWING NO.	REV.
							DIST		B	169861-00ME		

TOLERANCES UNLESS SPECIFIED			DRAWN	RDW 2/4/04		
DEC.	METRIC		CHK			
.X	±2.5		TITLE	METRIC OUTLINE, IMB3	APPD	SW 2/4/04
.XX	±.76		IEC-80 FRAME TEFC		SCALE	1=1.5
.XXX	±.127		MAT'L	ALUMINUM	REF	OSVC-300-552
.XXXX	±.0127			FMF		