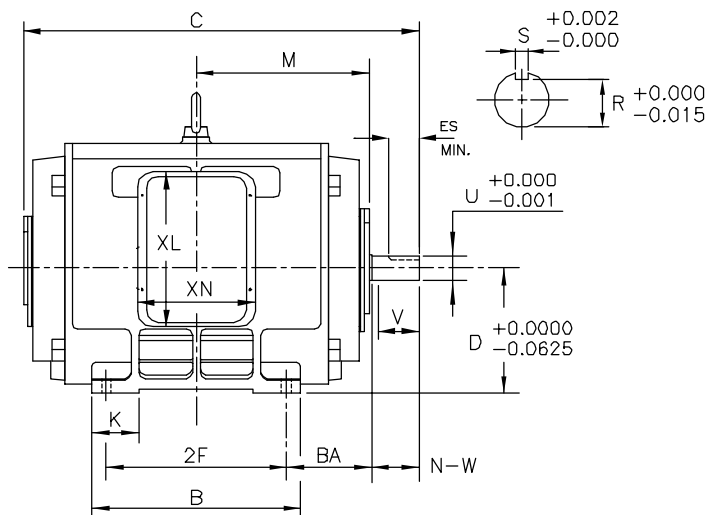
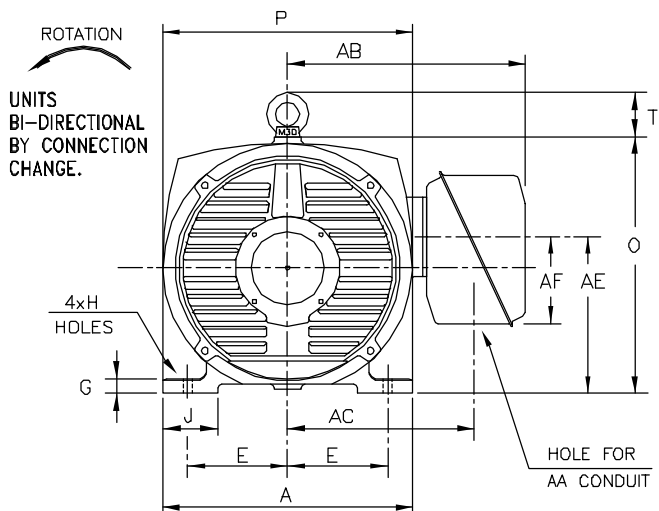


TOSHIBA/HOUSTON

DRIP-PROOF
HORIZONTAL FOOT-MOUNTED

Fr. 505-509
2 POLE
DIRECT COUPLE



UNITS: INCHES

FRAME SIZE	MOUNTING				CONDUIT BOX						
	E	2F	H	BA	AA	AB	AC	AE	AF	XL	XN
505USS	10.00	18.00	0.94	8.50	4.00	23.8	18.6	15.6	8.7	15.5	11.7
507USS	10.00	22.00	0.94	8.50	4.00	23.8	18.6	15.6	8.7	15.5	11.7
509USS	10.00	28.00	0.94	8.50	4.00	22.8	17.7	15.6	8.7	15.5	11.7

FRAME SIZE	MOTOR DIMENSIONS										
	A	B	C	D	G	J	K	M	O	P	T
505USS	25.0	20.9	39.5	12.50	1.48	5.5	4.7	17.3	25.5	25.0	4.4
507USS	25.0	24.8	43.5	12.50	1.48	5.5	4.7	19.3	25.5	25.0	4.4
509USS	25.0	30.8	49.5	12.50	1.48	5.5	4.7	22.3	25.5	25.0	4.4

FRAME SIZE	SHAFT EXTENSION			KEYWAY			BEARINGS		MAXIMUM WEIGHT
	N-W	V	U	R	S	ES	LS	OS	
505USS	4.75	4.50	2.375	2.021	0.625	3.03	6313C3	6313C3	2100 lbs.
507USS	4.75	4.50	2.375	2.021	0.625	3.03	6313C3	6313C3	2500 lbs.
509USS	4.75	4.50	2.375	2.021	0.625	3.03	6313C3	6313C3	2800 lbs.

ALL DATA SUBJECT TO CHANGE WITHOUT NOTICE.
FOR CONSTRUCTION USE ONLY CERTIFIED DATA.

NOTES:

1. DIMENSION V REPRESENTS LENGTH OF STRAIGHT PART OF SHAFT.
2. CONDUIT BOX MAY BE ROTATED IN 90° INCREMENTS AND MAY BE MOUNTED ON OPPOSITE SIDE ON SPECIAL ORDER.
3. KEY DIMENSIONS EQUAL S x S x 3.00 (MOTOR SUPPLIED WITH KEY)
4. MOTOR WEIGHT SHOWN IS MAXIMUM HORSEPOWER IN FRAME.

CERTIFIED DATA

CUSTOMER: _____ P.O. NO.: _____ TAG NO.: _____

MOTOR MODEL NO.: _____ TOSHIBA FILE NO.: _____

HP: _____ RPM (SYN.): _____ VOLTAGE: _____ Hz: _____

FRAME SIZE: _____ LOG NO.: _____ LOG REV. LEVEL: _____

REMARKS: _____

PER: _____ ISSUE DATE: _____ SUPERSEDES: _____