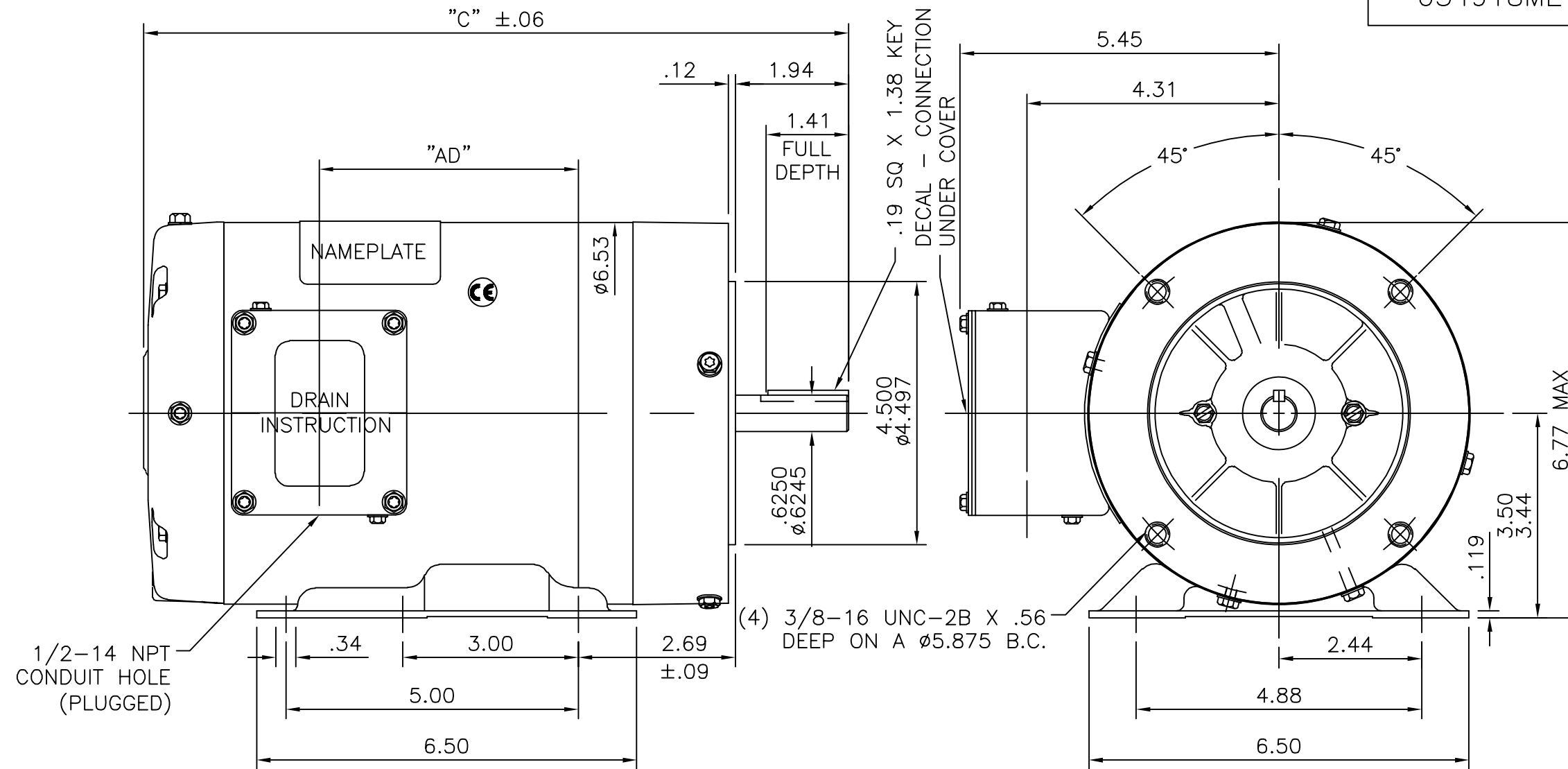


034918ME



SPECIAL FEATURES:

- 1) SHAFT SEALS & V-RING
- 2) DRAIN HOLES IN ENDBELLS & CONDUIT BOX
- 3) STAINLESS STEEL SHAFT, HARDWARE & NAMEPLATE
- 4) GASKETS THROUGHOUT

DASH NO.	"C"	"AD"
700	12.06	4.44
750	12.56	4.94
800	13.06	5.44

ORACLE REV 02

MAXIMUM FACE RUNOUT .004 T.I.R.  
 MAXIMUM PILOT ECCENTRICITY .004 T.I.R.  
 PERMISSIBLE SHAFT RUNOUT .002 T.I.R.

		TOLERANCES UNLESS SPECIFIED		MARATHON ELECTRIC		DRAWN RLV 1/6/05	
		DEC.	INCHES			CHK RW 11/29/05	
		.X	±.1	TITLE		APPD KH 11/29/05	
		.XX	±.03	OUTLINE - 56HC FRAME		SCALE 3=8	
		.XXX	±.005	TENV - RIGID "C"		REF	
		.XXXX	±.0005	MAT'L.		WASHGUARD	
		ANG	±1/2'	FINISH		PREV	
B	CORRECTED SIDE BOX ECO-0063000	CDF	10/17/14	GS			
A	OUTLINE UPDATED PER ECO-0049716	PVR	04/29/14	JD			
NO.	REVISION	BY & DATE	CHK	ANG	±1/2'	FINISH	PREV
THIS DRAWING IN DESIGN AND DETAIL IS OUR PROPERTY AND MUST NOT BE USED EXCEPT IN CONNECTION WITH OUR WORK ALL RIGHTS OF DESIGN AND INVENTION ARE RESERVED THIS IS AN ELECTRONICALLY GENERATED DOCUMENT - DO NOT SCALE THIS PRINT				RFP	CAD FILE	034918ME	SIZE A
				DIST			DRAWING NO. 034918ME
							PAGE OF
							REV. B