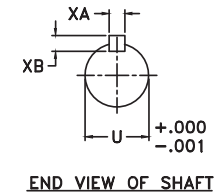
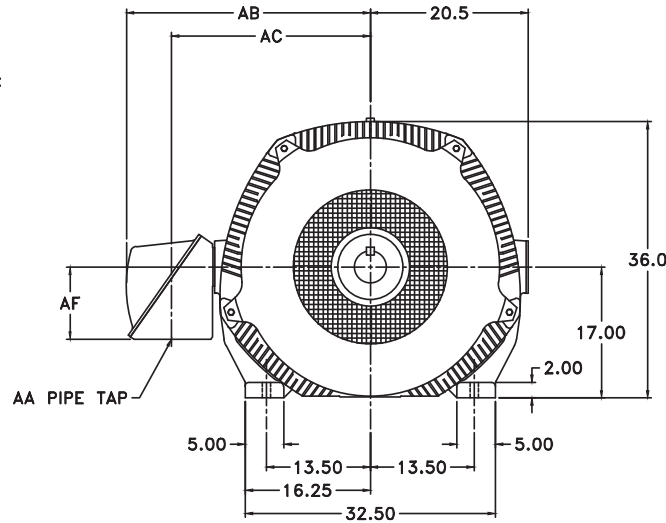
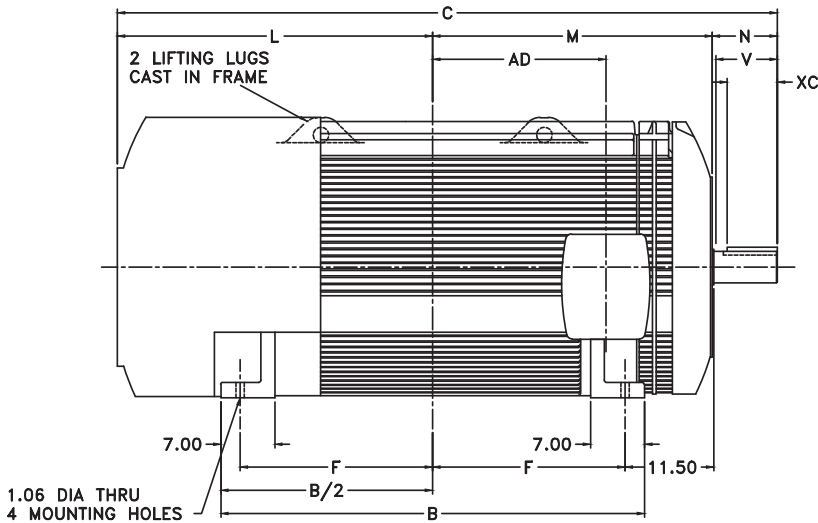


**TYPE HS SQUIRREL CAGE INDUCTION MOTOR ENCLOSURE - TOTALLY ENCLOSED FAN COOLED AND EXPLOSION PROOF BEARING - ANTI-FRICTION AND SOLID SLEEVE**

- NOTES**  
 A- THIS DRAWING IS NOT TO BE REGARDED AS INDICATING EXACT DETAILS OF CONSTRUCTION. IT IS PROPERLY DIMENSIONED FOR ERECTION PURPOSES ONLY.  
 B- AIR INLET OPENINGS ARE ON BOTH ENDS OF MOTOR. WHEN INSTALLING MOTOR, AVOID LOCATING MOTOR SO THAT ADJACENT STRUCTURES ARE CLOSER THAN 12 INCHES TO MOTOR ENDS. ALSO THAT NO ADJACENT STRUCTURE CAUSES EXHAUST AIR TO BE DIRECTED INTO INLET OPENINGS.  
 C- MOUNTING BOLTS, DOWELS AND COUPLING NOT SUPPLIED BY TOSHIBA UNLESS SPECIFICALLY ORDERED.  
 D- EACH FOOT MUST BE MOUNTED ON A BASE EQUAL TO OR LARGER THAN THE PAD AREA.  
 E- SLEEVE BEARINGS HAVE 0.50 MINIMUM ENDPLAY. COUPLING ENDFLOAT SHOULD BE 0.19 MAXIMUM WITH ROTOR LOCATED ON MECHANICAL CENTERLINE.  
 F- FOR MOUNTING OF MOTOR USE .875-9 THD/INCH HOLD DOWN BOLTS.  
 G- NON DRIVE END BEARING INSULATED.  
 DEVICES



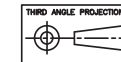
FRAME SIZE	REAR SHAFT EXTENSION							RECOMMENDED COUPLING BORE		APPROX WEIGHT					
	U	KEY SIZE			N	V	B	C	F		L	M	AD	MIN.	MAX.
		XA	XB	XC											
6809H	2.875	.750	.750	4.00	5.94	5.50	45.0	73.20	20.00	35.94	31.32	17.50	2.8730	2.8740	9400
6809L	4.125	1.000	1.000	6.50	8.44	8.00	45.0	75.70	20.00	35.94	31.32	17.50	4.1215	4.1230	10090
6810H	2.875	.750	.750	4.00	5.94	5.50	50.0	78.20	22.50	38.44	33.82	20.00	2.8730	2.8740	10430
6810L	4.125	1.000	1.000	6.50	8.44	8.00	50.0	80.70	22.50	38.44	33.82	20.00	4.1215	4.1230	11230
6811H	2.875	.750	.750	4.00	5.94	5.50	55.0	83.20	25.00	40.94	36.32	22.50	2.8730	2.8740	11610
6811L	4.125	1.000	1.000	6.50	8.44	8.00	55.0	85.70	25.00	40.94	36.32	22.50	4.1215	4.1230	12350

CONDUIT BOX							
FAN COOLED - STANDARD				EXPLOSION PROOF			
AA	AB	AC	AF	AA	AB	AC	AF
3.00	31.68	25.81	9.38	3.00	35.00	26.50	13.00

THESE DRAWINGS ARE PREPARED IN ACCORDANCE WITH THE NORMAL AND ACCEPTED STANDARDS WITHIN THE ELECTRICAL INDUSTRY FOR THE PURPOSE OF OBTAINING CUSTOMER APPROVAL AS PART OF THE MANUFACTURING OR PRODUCTION PROCESS. ANY USE OR COMPARISON OF THE DIMENSIONS BY THE CUSTOMER (OTHER THAN FOR GRANTING APPROVAL) SHALL BE THE SOLE RESPONSIBILITY OF THE CUSTOMER.

THE INFORMATION CONTAINED HEREIN IS THE PROPERTY OF TOSHIBA INDUSTRIAL PRODUCTS CANADA - IT MUST NOT BE REPRODUCED OR COPIED, AND NO PART OF THIS DRAWING MAY BE REPRODUCED OR USED WITHOUT THE EXPRESS PERMISSION OF THE COMPANY.  
**TOSHIBA**  
 TITLE: TYPE HS MOTOR FRAME 6800 OUTLINE - TEFC/TEXP ENCLOSURE  
 SCALE: N.T.S. SHEET: OF  
 DRAWN: N.WEST DATE: APPROVED: DATE: CHECKED: APPROVED: DATE: CREDITED: APPROVED: DATE:  
**E10D120**

PRELIMINARY SHAFT AND MOUNTING ONLY  
 G.O. \_\_\_\_\_ S.O. \_\_\_\_\_ CUST. ORDER \_\_\_\_\_  
 CUST. \_\_\_\_\_  
 RATING \_\_\_\_\_  
 PER: \_\_\_\_\_ DATE \_\_\_\_\_  
 TOSHIBA INDUSTRIAL PRODUCTS CANADA, STONEY CREEK



STANDARD REVISIONS  
 1