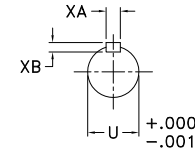
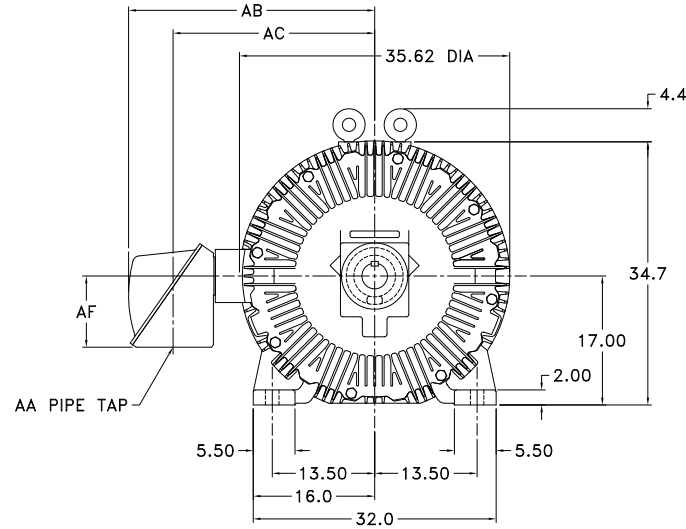
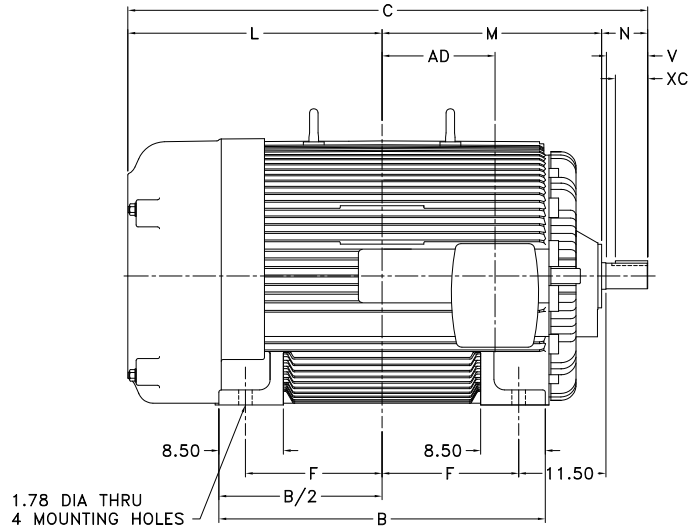


TYPE HS SQUIRREL CAGE INDUCTION MOTOR
ENCLOSURE - TOTALLY ENCLOSED FAN COOLED
AND EXPLOSION PROOF
BEARING - ANTI-FRICTION AND SOLID SLEEVE

NOTES

- A- THIS DRAWING IS NOT TO BE REGARDED AS INDICATING EXACT DETAILS OF CONSTRUCTION. IT IS PROPERLY DIMENSIONED FOR ERECTION PURPOSES ONLY.
- B- MOUNTING BOLTS, DOWELS AND COUPLING NOT SUPPLIED BY TOSHIBA UNLESS SPECIFICALLY ORDERED.
- C- WHEN MOUNTING MOTOR, SHIM COMPLETE FOOT PAD AREA.
- D- SLEEVE BEARINGS HAVE 0.50 MINIMUM ENDPLAY. COUPLING ENDFLOAT SHOULD BE 0.19 MAXIMUM WITH ROTOR LOCATED ON MECHANICAL CENTERLINE.
- E- UNLESS OTHERWISE SPECIFIED, CABLE PLATE OF THE MAIN CONDUIT BOX TO BE DRILLED BY CUSTOMER.
- F- FOR MOUNTING OF MOTOR USE 1.25-7 THD/INCH HOLD DOWN BOLTS.
- G- NON DRIVE END BEARING INSULATED.



END VIEW OF SHAFT

FRAME SIZE	REAR SHAFT EXTENSION											RECOMMENDED COUPLING BORE		APPROX WEIGHT	
	U	KEY SIZE			N	V	B	C	F	L	M	AD	MIN.		MAX.
		XA	XB	XC											
686D	4.125	.937	.625	11.75	14.18	13.68	35.0	68.75	14.00	29.50	25.06	10.88	5725
686S	3.375	.937	.625	4.25	5.94	5.44	35.0	60.50	14.00	29.50	25.06	10.88	3.3720	3.3735	5675
686H	2.625	.625	.500	3.50	5.18	4.68	35.0	59.75	14.00	29.50	25.06	10.88	2.6230	2.6240	5650
688D	4.125	.937	.625	11.75	14.18	13.68	43.0	76.75	18.00	33.50	29.06	14.88	7000
688S	3.375	.937	.625	4.25	5.94	5.44	43.0	68.50	18.00	33.50	29.06	14.88	3.3720	3.3735	6950
688H	2.625	.625	.500	3.50	5.18	4.68	43.0	67.75	18.00	33.50	29.06	14.88	2.6230	2.6240	6925

CONDUIT BOX							
FAN COOLED - STANDARD				EXPLOSION PROOF			
AA	AB	AC	AF	AA	AB	AC	AF
3.00	32.50	26.56	9.38	3.00	35.75	27.50	13.00

THESE DRAWINGS ARE PREPARED IN ACCORDANCE WITH THE NORMAL AND ACCEPTED STANDARDS WITHIN THE ELECTRICAL INDUSTRY FOR THE PURPOSE OF OBTAINING CUSTOMER APPROVAL AS PART OF THE MANUFACTURING OR PRODUCTION PROCESS. ANY USE OR COMMUNICATION OF THE DRAWINGS BY THE CUSTOMER (OTHER THAN FOR OBTAINING APPROVAL) SHALL BE THE SOLE RESPONSIBILITY OF THE CUSTOMER.

PRELIMINARY SHAFT AND MOUNTING ONLY

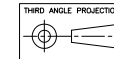
G.O. _____ S.O. _____ CUST. ORDER _____

CUST. _____

RATING _____

PER: _____ DATE _____

TOSHIBA INDUSTRIAL PRODUCTS CANADA, STONEY CREEK



TOSHIBA INDUSTRIAL PRODUCTS CANADA

TITLE TYPE HS MOTOR FRAME 680

OUTLINE - TEFC/TEXP ENCLOSURE

SCALE: N.T.S. SHEET: OF

DATE: APPR BY: _____

DESIGNED: N.WEST DATE: _____

APP BY: _____

E10D119

ISSUE 1 STANDARD REVISIONS