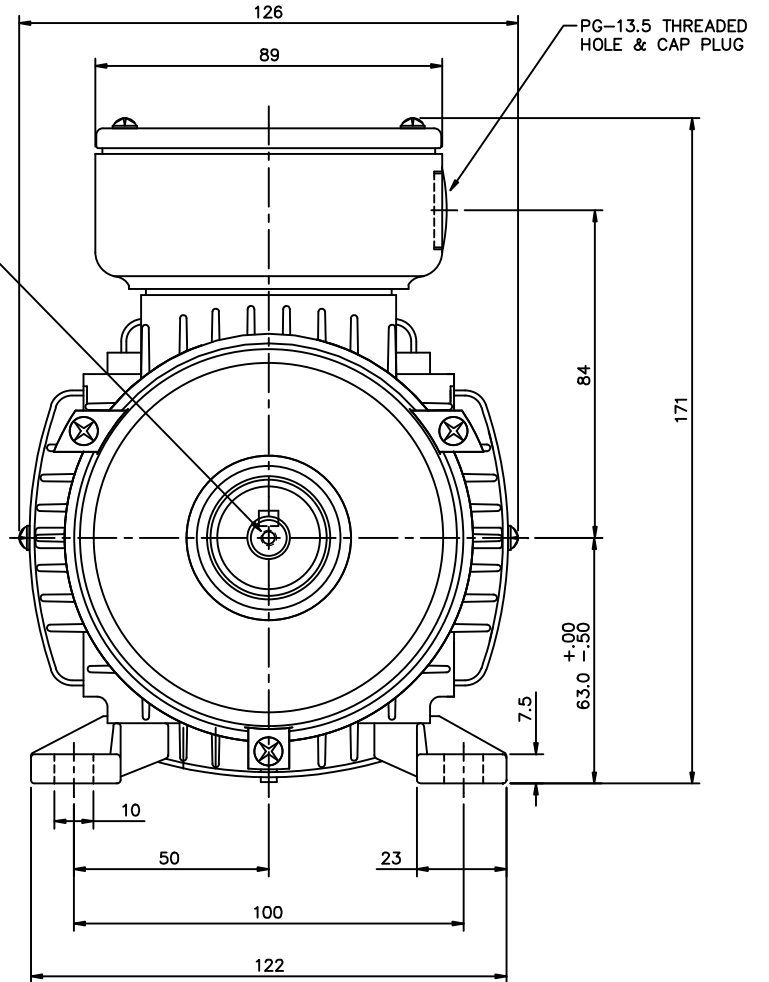


M4-.70 x 10MM DEEP
R.H. THREADED SHAFT



		TOLERANCES UNLESS SPECIFIED			DRAWN
		DEC.	METRIC		ADS 01/18/02
		.X	±2.5		CHK
		.XX	±.76	TITLE	APPD
		.XXX	±.127	METRIC MOTOR OUTLINE, IMB3	SCALE 1=1.25
		.XXXX	±.0127	IEC-63 FRAME RIGID MOUNT	REF OSVC-300-554
				MAT'L	FMF
				FINISH	PREV
NO.	REVISION	BY & DATE	CHK ANG ±7'30"		
THIS DRAWING IN DESIGN AND DETAIL IS OUR PROPERTY AND MUST NOT BE USED EXCEPT IN CONNECTION WITH OUR WORK ALL RIGHTS OF DESIGN AND INVENTION ARE RESERVED THIS IS AN ELECTRONICALLY GENERATED DOCUMENT - DO NOT SCALE THIS PRINT				RFP	CAD FILE
				16985900ME	SIZE
				B	DRAWING NO.
					169859-00ME
					REV.