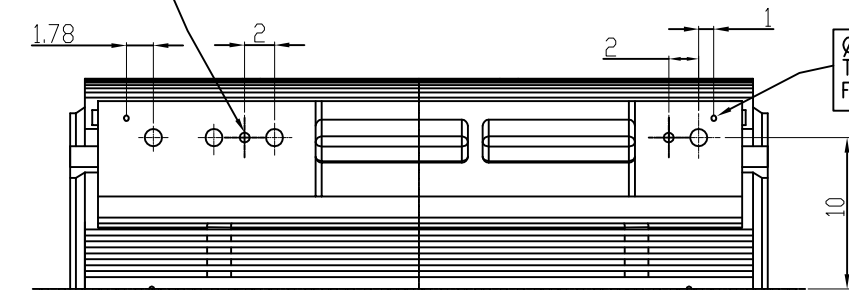
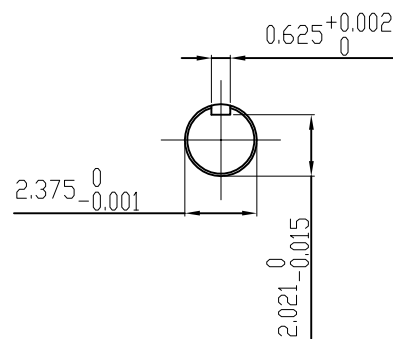


ϕ 1.25" NPT FOR RTD
 12.1(SH)
 18.1(RTD)
 ϕ 0.75" NPT FOR SH

ϕ 4 NPT CONDUIT HOLE
 10.9
 22.4
 24.8
 8 x ϕ 1.125 HOLES

ϕ 3/4"-10 UNC 4 PLACES FOR JACKING BOLTS

ϕ 5/16" HOLES TYPICAL 4 PLACES FOR DOWEL PINS



UNITS: INCHES

TECHNICAL INFORMATION

1. BEARING LUBRICATION DE: MOBIL POLYREX EM
ODE: MOBIL POLYREX EM
2. BEARING TYPE DE: 6313C3
ODE: 6313C3 INSULATED
3. WINDING TEMP. DETECTORS
NUMBER AND TYPE: 6xRTD(Pt0°C-100ohm)
LOCATION: IN STATOR SLOT
4. BEARING TEMP. DETECTORS
NUMBER AND TYPE: _____
5. SPACE HEATER 1 PHASE
VOLTS: 120 WATTS: 240
6. ROTATION: CCW VIEWED FROM NON DRIVE END
THIS MOTOR IS UNI DIRECTIONAL
7. MOTOR PAINT COLOR: GRAY
8. APPROX. WEIGHT: 5000 Lbs
9. ACCESSORIES:

DRAWING LIST		NO.	REVISION	BY	DATE
MAIN TERMINAL BOX 130-7622-55					
AUX TERMINAL BOX FOR					
SPACE HEATER	130-7520-50	2	GRS FROM SRI, ADD DOWELS JACKING TO INLINE	RWS	1/6/13
R.T.D.	130-7522-51	1	CHG FAB. FC FOR C.I. FC	JMP	9/24/08
THERMISTOR	N/A				
		0	FIRST ISSUE	BCS	4/24/07
PRODUCTION #	N/A				

MOTOR OUTLINE FOR THREE PHASE INDUCTION MOTOR									
CUSTOMER NAME				P.O. NO.	MOTOR TAG NO.				
OUTPUT HP	POLE	VOLTAGE V	FREQUENCY Hz	FULL LOAD SPEED (min ⁻¹)	TOSHIBA MODEL NO.				
TYPE	FORM	INS. CLASS	RATING	FRAME	S.F.	ENCLOSURE			
	2	F <td>CONT. <td>5011USS</td> <td></td> <td colspan="4">TEFC</td> </td>	CONT. <td>5011USS</td> <td></td> <td colspan="4">TEFC</td>	5011USS		TEFC			
TOSHIBA INTERNATIONAL CORPORATION HOUSTON, TEXAS U.S.A.									
3rd ANGLE PROJ.	PREPARED BY:	DATE:	CHECKED BY:	DATE:	DRAWING NO.:	REV.			
	B SIDLE	4/24/07	S Johnson	4/26/07	MDSL0071-14	2			