

4

3

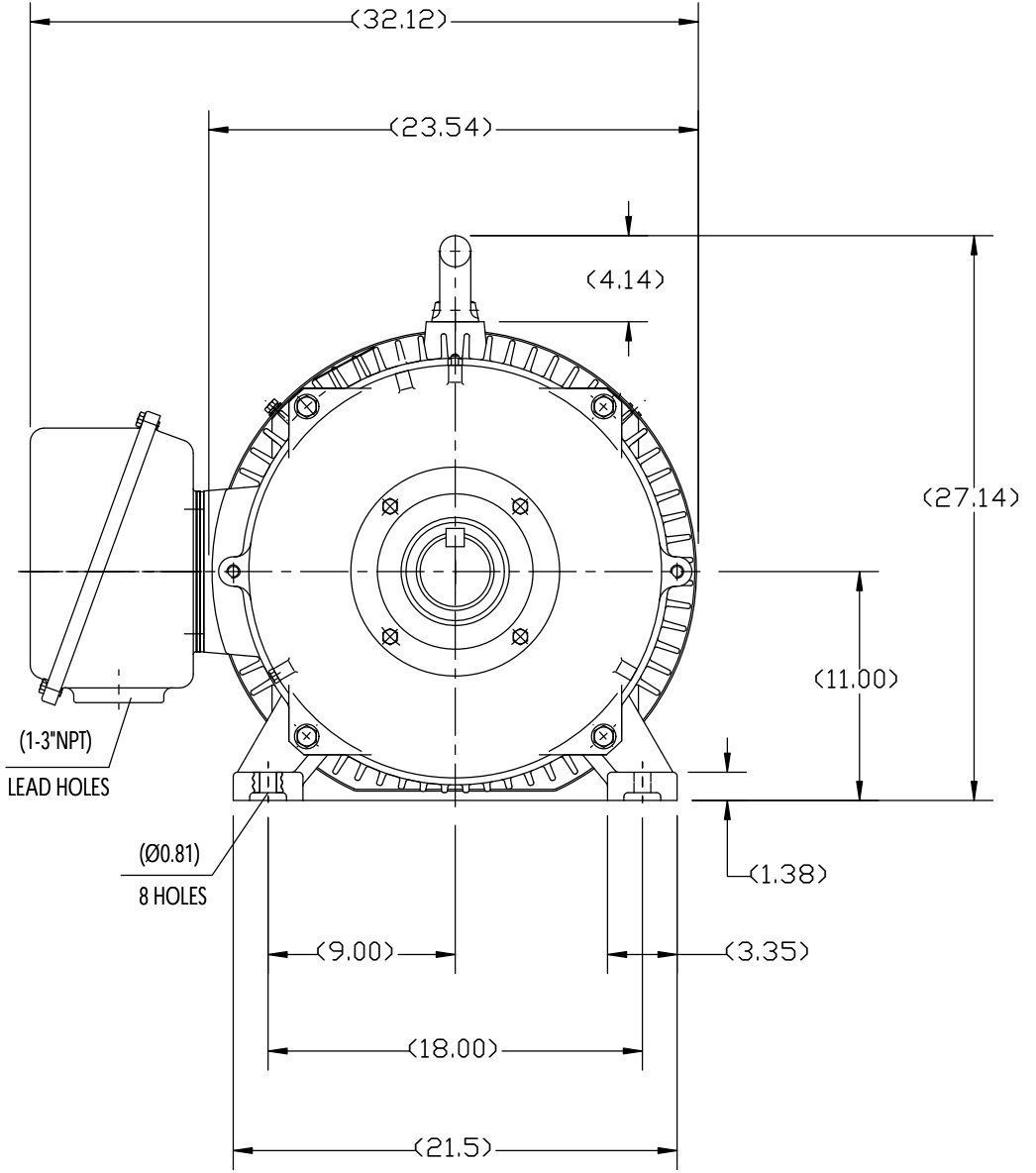
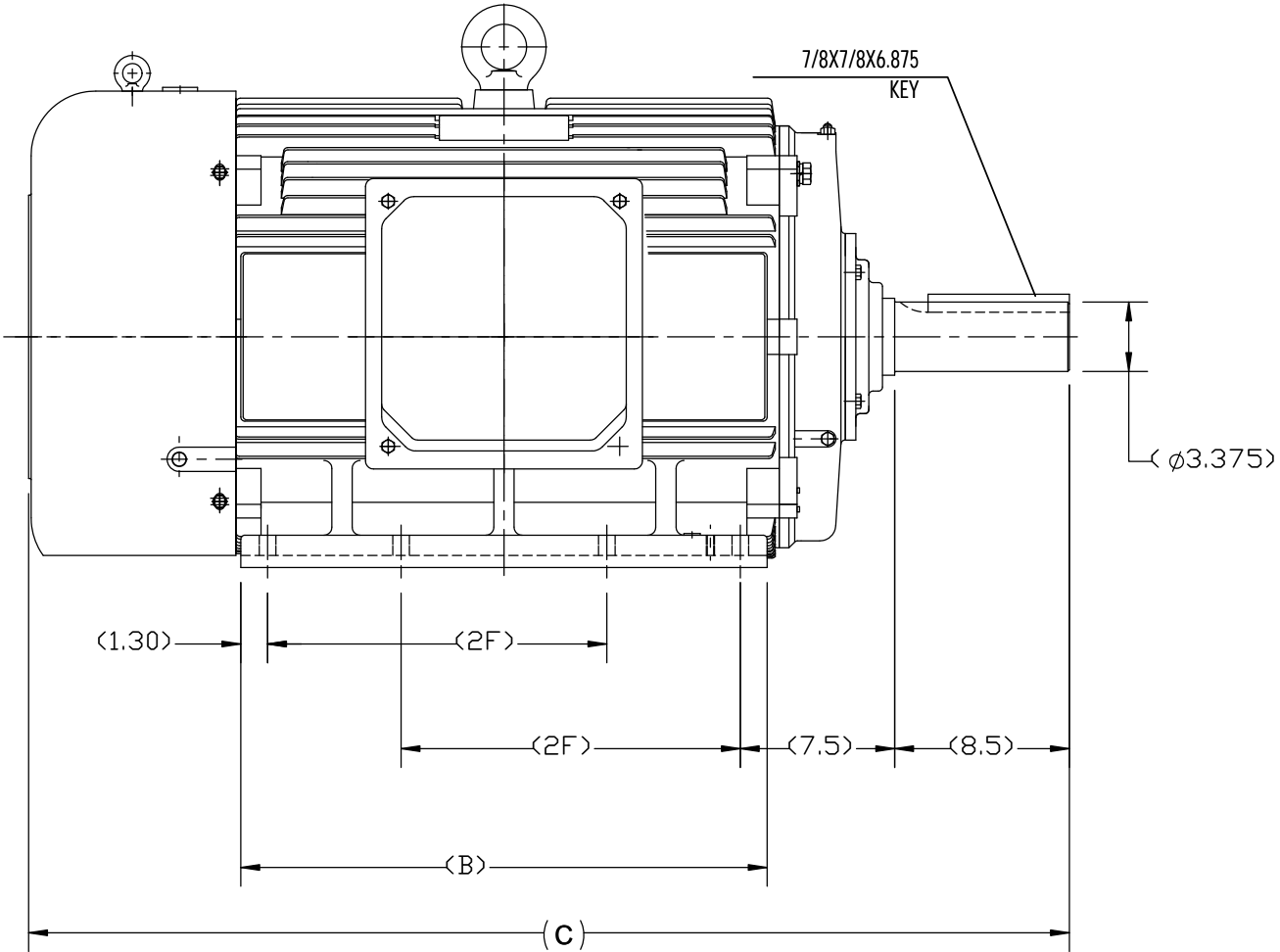
Uncontrolled Copy

2

1

B

B



A

A

444T	50.787	25.60	14.50
445T			16.50
FRAME	C	B	2F
	4		

DRAWING REVISION B	REVISION BY W. JOERGER	DATE 02-27-2017
ECO ECO-0118824	APPROVED BY E. HEIL	DATE 02-27-2017
ECO DESCRIPTION REMOVED 447T/449T FRAME MOTORS		
<small>COPYRIGHT REGAL BELOIT AMERICA, INC. ALL RIGHTS RESERVED. PROPRIETARY AND CONFIDENTIAL INFORMATION - THIS DOCUMENT IS THE PROPERTY OF REGAL BELOIT AMERICA, INC. ("OWNER") AND CONTAINS OWNER'S PROPRIETARY INFORMATION. ANY PERSON, CORPORATION OR OTHER FIRM RECEIVING IT IS DEEMED, BY RECEIVING IT, TO AGREE THAT IT, AND/OR ANY PART OF IT, SHALL NOT BE DISCLOSED TO ANY PERSON, CORPORATION OR OTHER ENTITY, DUPLICATED, AND/OR USED, EXCEPT AS EXPRESSLY APPROVED IN WRITING IN ADVANCE BY OWNER. THIS DOCUMENT SHALL BE RETURNED TO OWNER UPON REQUEST. IT MAY BE SUBJECT TO CERTAIN RESTRICTIONS UNDER APPLICABLE EXPORT CONTROL LAWS AND REGULATIONS.</small>		

TOLERANCES UNLESS OTHERWISE SPECIFIED:

DEC.	INCH	mm	ANGLE
.X	± 0.1	[± 2.5]	$\pm 7' 30''$
.XX	± 0.03	[± 0.76]	
.XXX	± 0.005	[± 0.127]	
.XXXX	± 0.0005	[± 0.0127]	

REMOVE BURRS & BREAK SHARP EDGES: .003/.015 [0.076/.381] X 45°
 CORNER FILLETS: R.02 [.51]
 MACHINED SURFACES: 200 INCH 5.1 mm

mm SHOWN IN [BRACKETS]

DRAWN BY ZYH
DATE 04-22-2012
APPROVED BY WGH
DATE 04-22-2012
REFERENCE
THIRD ANGLE PROJECTION

REGAL ™ Regal Beloit America, Inc.	
DESCRIPTION	OUTLINE 444T/445T FR-TEFC-CAST IRON-SEVERE DUTY
MATERIAL	PROCESS/FINISH
SIZE B	DRAWING NUMBER SS620677
SHEET 1 OF 1	

4

3

2

1