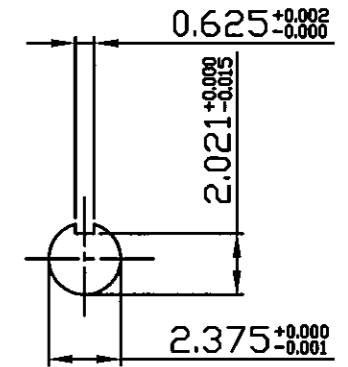
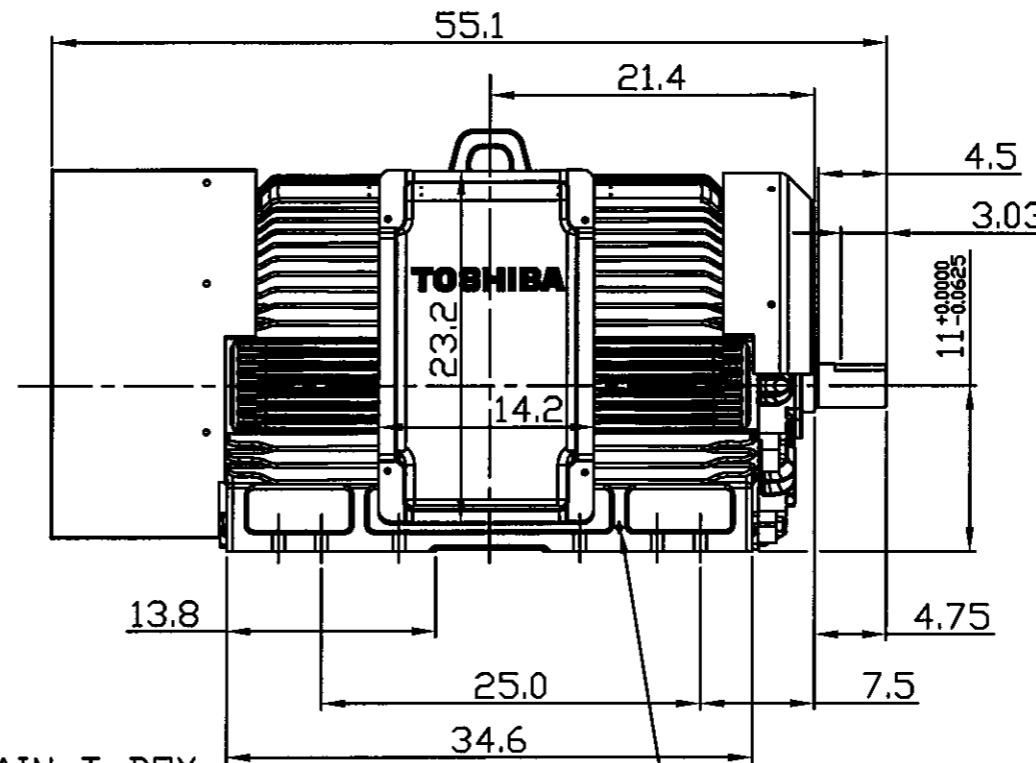
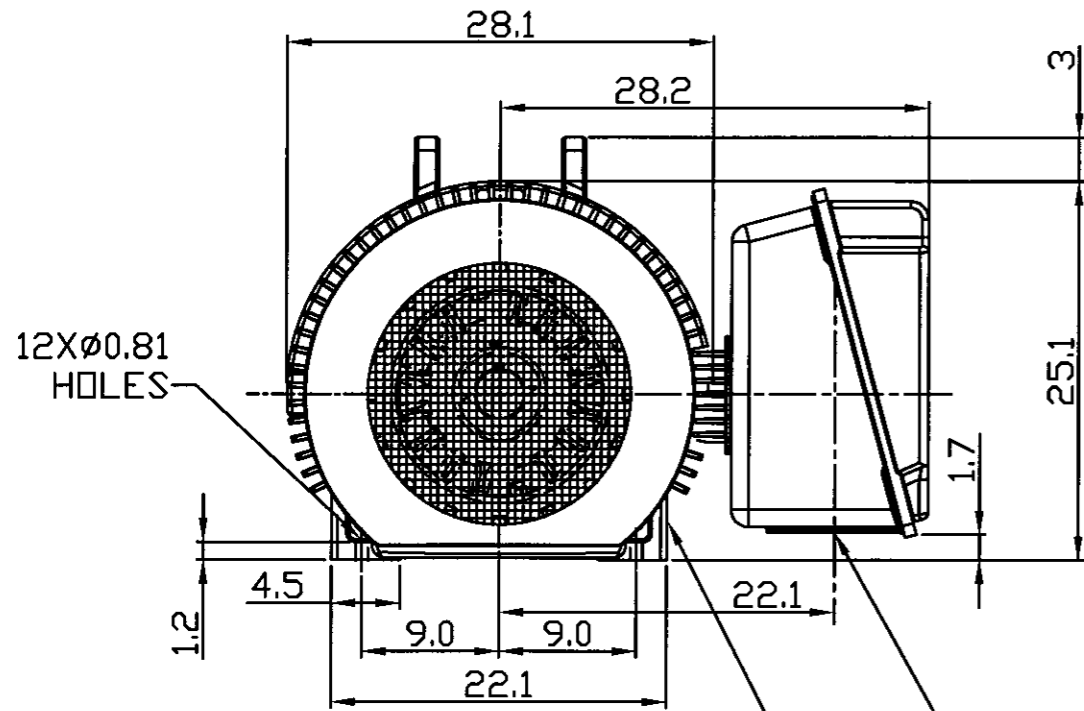


ROTATION  
SEE NOTE 6



Ø4.0 NPT FOR MAIN T-BOX  
GROUND TERMINAL

GROUND TERMINAL

TECHNICAL INFORMATION

1. BEARING LUBRICATION DE: CHEVRON SRI  
ODE: CHEVRON SRI
2. BEARING TYPE DE: 6313C3  
ODE: 6313C3
3. WINDING TEMP. DETECTORS  
NUMBER AND TYPE: N/A  
LOCATION: N/A
4. BEARING TEMP. DETECTORS  
NUMBER AND TYPE: N/A
5. SPACE HEATER N/A PHASE  
VOLTS:      WATTS:
6. ROTATION: CCW VIEWED FROM NON DRIVE END  
THIS MOTOR IS UNI DIRECTIONAL
7. MOTOR PAINT COLOR: GRAY
8. APPROX. WEIGHT: 3800 Lbs
9. ACCESORIES:

DRAWING LIST

MAIN TERMINAL BOX					
130-7622-55					
AUX TERMINAL BOX FOR					
SPACE HEATER	-				
R.T.D.	-				
THERMISTOR	-				
PRODUCTION #	-				
UNITS:	INCHES	NO.	REVISION	BY	DATE

MOTOR OUTLINE FOR  
THREE PHASE INDUCTION MOTOR

CUSTOMER NAME			P.O. NO.		MOTOR TAG NO.	
OUTPUT HP	POLE 2	VOLTAGE 2.3/4k V	FREQUENCY Hz	FULL LOAD SPEED (min <sup>-1</sup> )	TOSHIBA MODEL NO.	
TYPE TIKK	FORM FCKW1	INS. CLASS F	RATING CONT.	FRAME N449TS	S.F.	ENCLOSURE TEFC
TOSHIBA INTERNATIONAL CORPORATION HOUSTON, TEXAS U.S.A.						
3rd ANGLE PROJ.	PREPARED BY: T. Ziebro	DATE: 2/26/04	CHECKED BY: <i>M. Ho</i>	DATE:	DRAWING NO.:	REV.
					MDSL0071-11	0