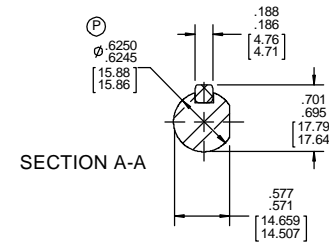
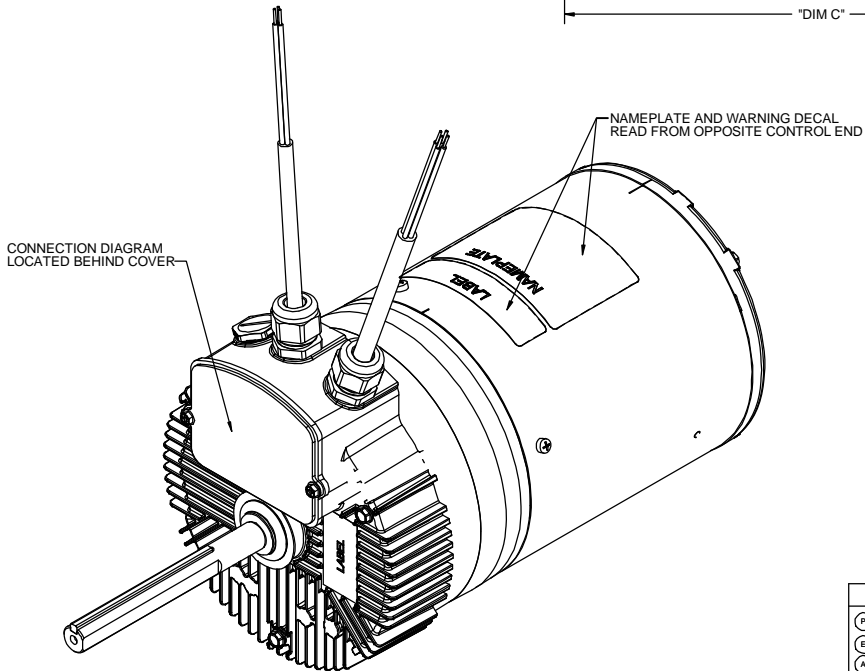
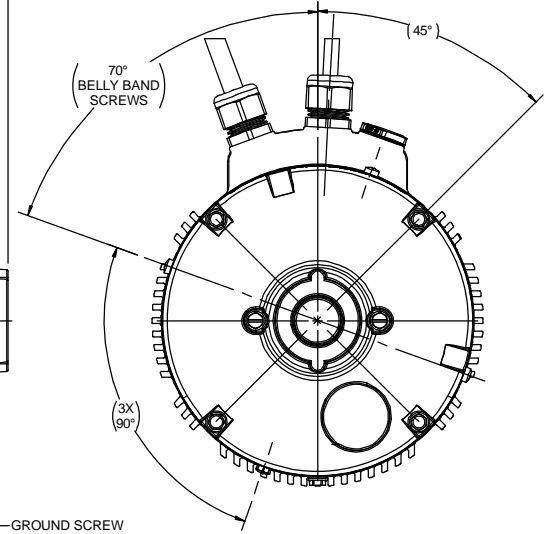
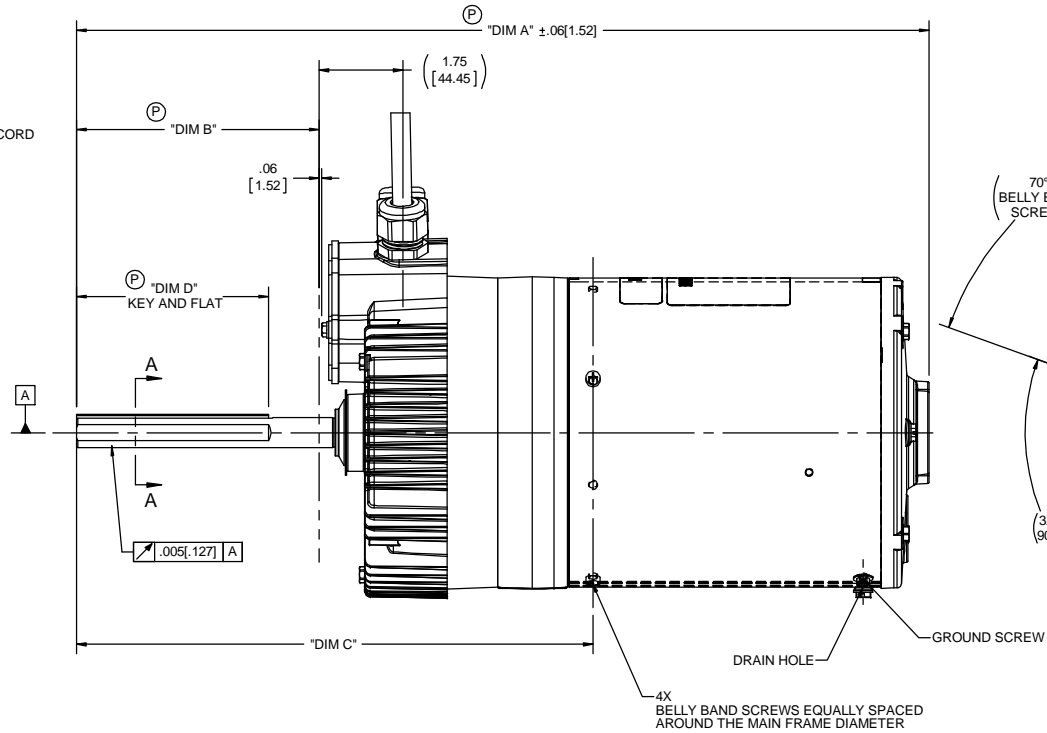
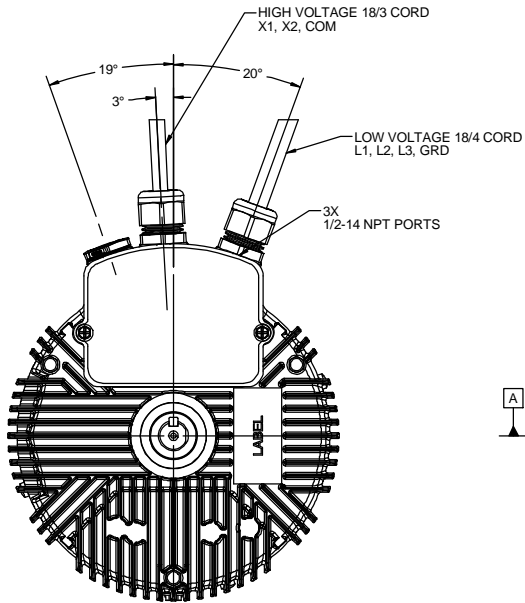


PART NUMBER SUFFIX	"DIM A"	"DIM B"	"DIM C"	"DIM D"
-001	17.76 [451.09]	5.06 [128.64]	10.77 [273.67]	4.00 [101.60]



DRAWING REVISION D		REVISION BY D. BORNHORST	DATE 10-23-2018	TOLERANCES UNLESS OTHERWISE SPECIFIED: DEC. INCH mm ANGLE		DRAWN BY S. JIMENEZ	Regal Beloit America, Inc.	
ECO ECO-0155183		APPROVED BY	DATE	.X ±0.1 [2.5] ±0.5°	.XX ±0.01 [0.25]	DATE 12-22-2016		
CTQ'S		REMOVED -XXX FROM DRAWING AND MODEL NAME		.XXX ±0.005 [0.127]	.XXXX ±0.0005 [±0.0127]	APPROVED BY	DESCRIPTION OUTLINE	
P PROCESS		<small> PROPRIETARY AND CONFIDENTIAL INFORMATION. THIS DOCUMENT IS THE PROPERTY OF REGAL BELOIT AMERICA, INC. FORMERLY AND CONTAINS OWNERS PROPRIETARY INFORMATION. ANY PERSON, CORPORATION OR OTHER FIRM RECEIVING IT IS DEEMED BY RECEIVING IT, TO AGREE THAT IT, AND/OR ANY PART OF IT, SHALL NOT BE DISCLOSED TO ANY PERSON, CORPORATION OR OTHER ENTITY, DUPLICATED, AND/OR USED, EXCEPT AS EXPRESSLY APPROVED IN WRITING IN ADVANCE BY OWNER. THIS DOCUMENT SHALL BE RETURNED TO OWNER UPON REQUEST. IT MAY BE SUBJECT TO CERTAIN RESTRICTIONS UNDER APPLICABLE EXPORT CONTROL LAWS AND REGULATIONS. </small>		<small> REMOVE BURRS & BREAK SHARP EDGES: .0031 [0.078] [381] X 45° CORNER FILLETS: R.02 [51] MACHINED SURFACES: 125/32 INCH/mil mm SHOWN IN [BRACKETS] </small>		DATE	MATERIAL	PROCESS/FINISH
E ENGINEERING						REFERENCE	SIZE C	DRAWING NUMBER D0000678
A APPLICATION						THIRD ANGLE PROJECTION	1	SHEET 1 OF 1
R REGULATORY								