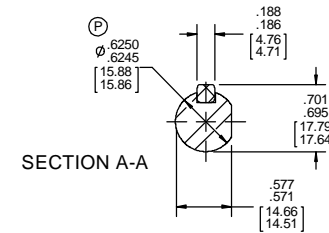
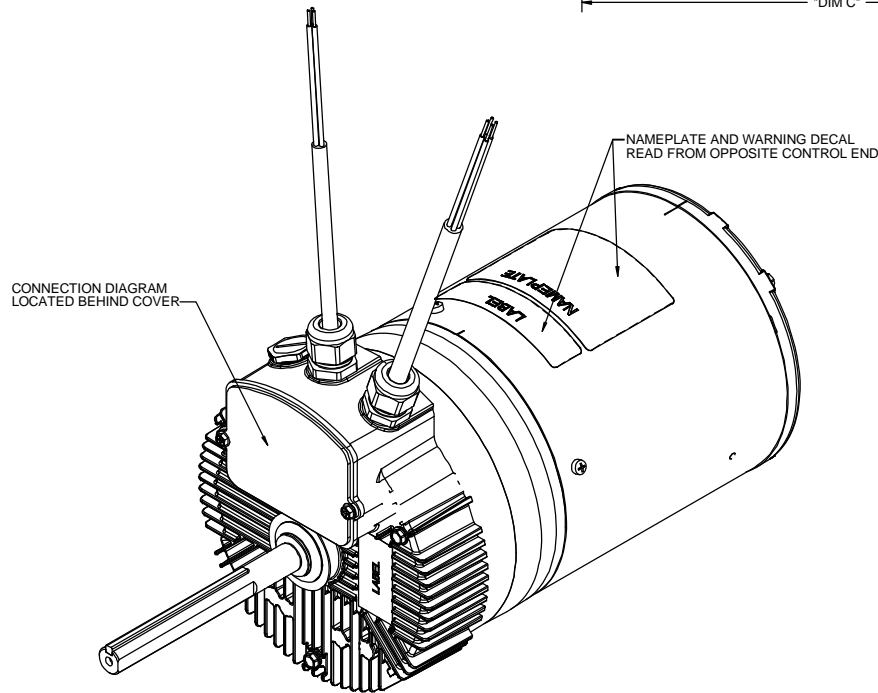
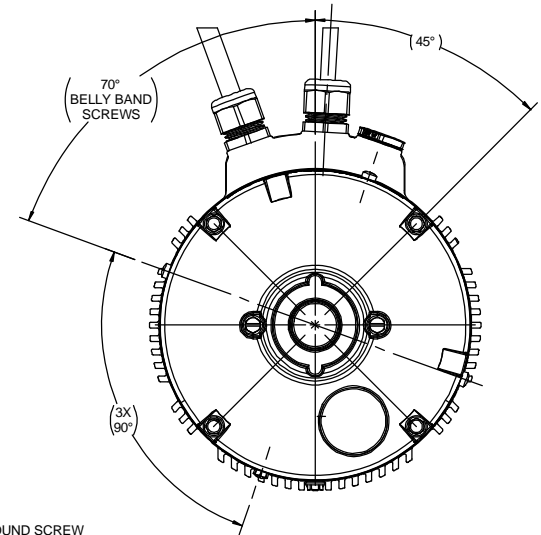
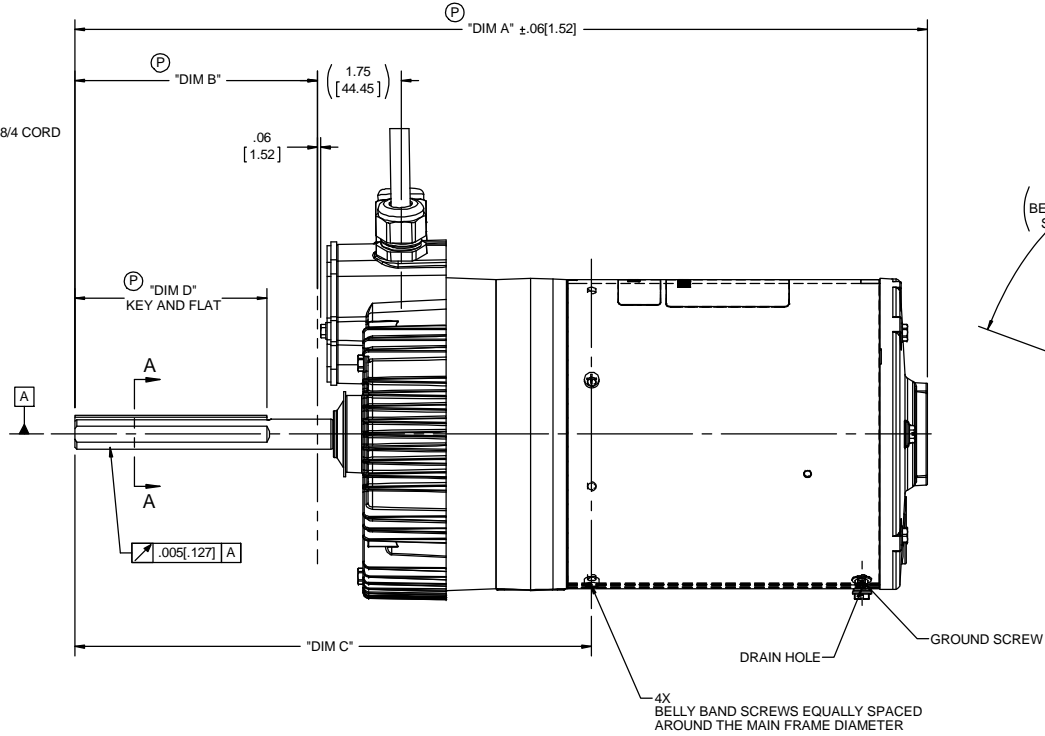
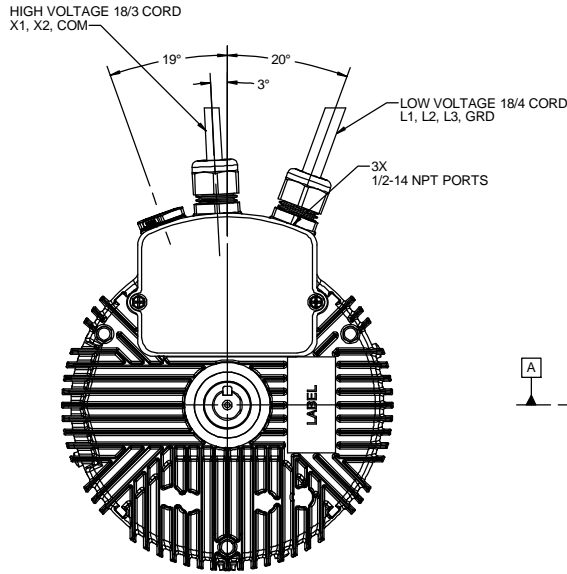


PART NUMBER SUFFIX	"DIM A"	"DIM B"	"DIM C"	"DIM D"
-001	17.76 [451.09]	5.06 [128.64]	10.77 [273.67]	4.00 [101.60]



DRAWING REVISION D		REVISION BY D. BORNHORST	DATE 10-22-2018	TOLERANCES UNLESS OTHERWISE SPECIFIED: DEC. INCH mm ANGLE	DRAWN BY S. JIMENEZ	Regal Beloit America, Inc.
ECO ECO-0155183		APPROVED BY	DATE	.X ±0.1 [2.5] ±7 30° .XX ±0.03 [0.76] .XXX ±0.005 [0.127] .XXXX ±0.0005 [±0.0127]	DATE 12-21-2016	
CTQ'S				REMOVED - XXX FROM DRAWING AND MODEL NAME	APPROVED BY	DESCRIPTION OUTLINE
(P) PROCESS (E) ENGINEERING (A) APPLICATION (R) REGULATORY				COPYRIGHT REGAL BELOIT AMERICA, INC. ALL RIGHTS RESERVED. PROPRIETARY AND CONFIDENTIAL INFORMATION. THIS DOCUMENT IS THE PROPERTY OF REGAL BELOIT AMERICA, INC. FORMER AND CONTAINS OWNERS PROPRIETARY INFORMATION. ANY PERSON, CORPORATION OR OTHER FIRM RECEIVING IT IS DEEMED BY RECEIVING IT, TO AGREE THAT IT, AND/OR ANY PART OF IT, SHALL NOT BE DISCLOSED TO ANY PERSON, CORPORATION OR OTHER ENTITY, DUPLICATED, AND/OR USED, EXCEPT AS EXPRESSLY APPROVED IN WRITING IN ADVANCE BY OWNER. THIS DOCUMENT SHALL BE RETURNED TO OWNER UPON REQUEST. IT MAY BE SUBJECT TO CERTAIN RESTRICTIONS UNDER APPLICABLE EXPORT CONTROL LAWS AND REGULATIONS.	DATE	MATERIAL 230V
				REMOVE BURRS & BREAK SHARP EDGES: .0031 [0.078] X 45° CORNER FILLETS: R. 02 [51] MACHINED SURFACES: 200 / 5.1 INCH/ m/yr mm SHOWN IN [BRACKETS]	REFERENCE	PROCESS/FINISH
				THIRD ANGLE PROJECTION	SIZE C	DRAWING NUMBER D0000835
						SHEET 1 OF 1