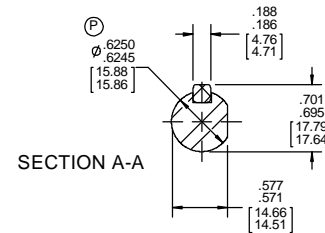
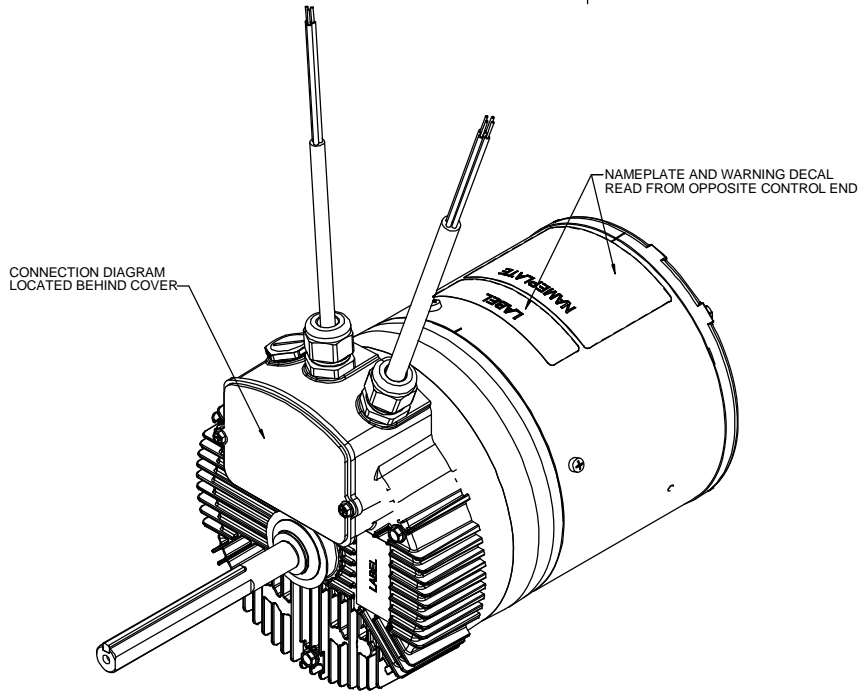
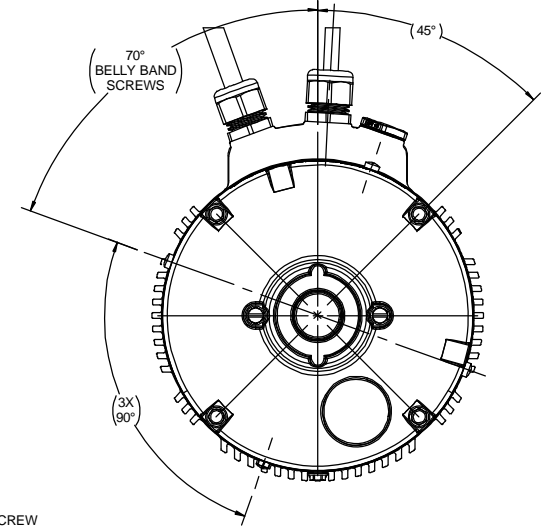
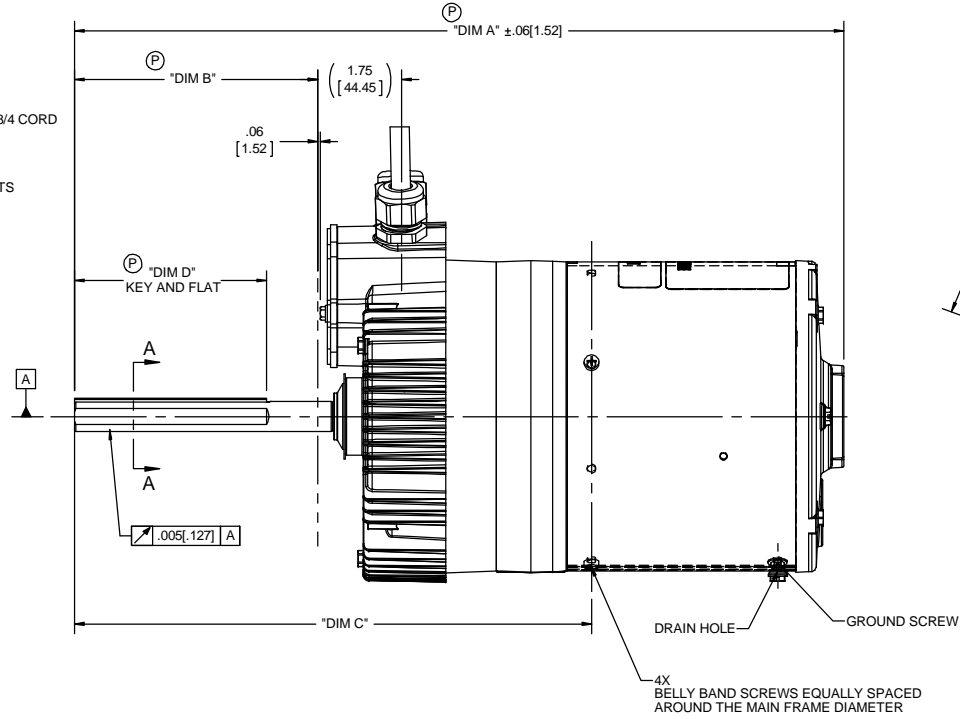
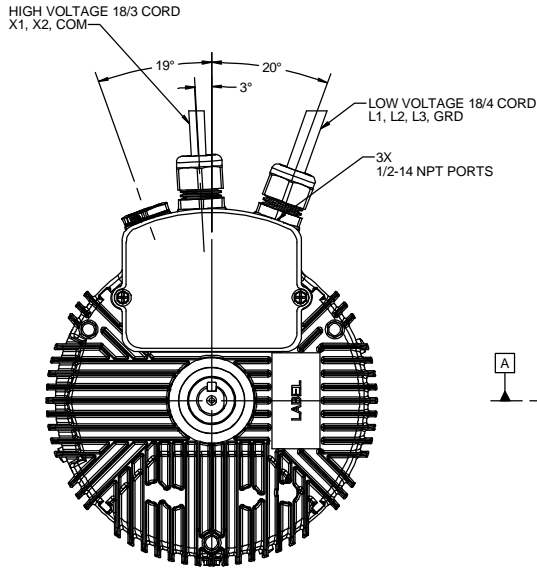


PART NUMBER SUFFIX	"DIM A"	"DIM B"	"DIM C"	"DIM D"
-001	16.52 [419.72]	5.06 [128.64]	10.77 [273.67]	4.00 [101.60]
-002	16.02 [406.91]	5.06 [128.64]	10.77 [273.67]	4.00 [101.60]



DRAWING REVISION D		REVISION BY D. BORNHORST	DATE 10-22-2018	TOLERANCES UNLESS OTHERWISE SPECIFIED: DEC. INCH mm ANGLE		DRAWN BY S. JIMENEZ	Regal Beloit America, Inc.
ECO ECO-0155183		APPROVED BY	DATE	.X ±0.1 [2.5] ±0.5°	.XX ±0.01 [0.25]	DATE 12-21-2016	
CTQ'S		REMOVED -XXX FROM DRAWING AND MODEL NAME		.XXX ±0.005 [0.127]	.XXXX ±0.0005 [±0.0127]	APPROVED BY	DESCRIPTION OUTLINE
P PROCESS		COPYRIGHT REGAL BELOIT AMERICA, INC. ALL RIGHTS RESERVED.		REMOVE BURRS & BREAK SHARP EDGES: .0031 015 [078/381] X 45° CORNER FILLETS: R. 02 [51]		DATE	230V
E ENGINEERING		PROPRIETARY AND CONFIDENTIAL INFORMATION. THIS DOCUMENT IS THE PROPERTY OF REGAL BELOIT AMERICA, INC. FORMER AND CONTAINS OWNERS PROPRIETARY INFORMATION. ANY PERSON, CORPORATION OR OTHER FIRM RECEIVING IT IS DEEMED BY RECEIVING IT, TO AGREE THAT IT, AND/OR ANY PART OF IT, SHALL NOT BE DISCLOSED TO ANY PERSON, CORPORATION OR OTHER ENTITY, DUPLICATED, AND/OR USED, EXCEPT AS EXPRESSLY APPROVED IN WRITING IN ADVANCE BY OWNER. THIS DOCUMENT SHALL BE RETURNED TO OWNER UPON REQUEST. IT MAY BE SUBJECT TO CERTAIN RESTRICTIONS UNDER APPLICABLE EXPORT CONTROL LAWS AND REGULATIONS.		MACHINED SURFACES: .125/ 3.2 INCH/ mmv		REFERENCE	MATERIAL
A APPLICATION				THIRD ANGLE PROJECTION		SIZE	PROCESS/FINISH
R REGULATORY				C		DRAWING NUMBER D0000834	SHEET 1 OF 1