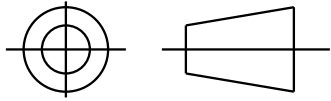


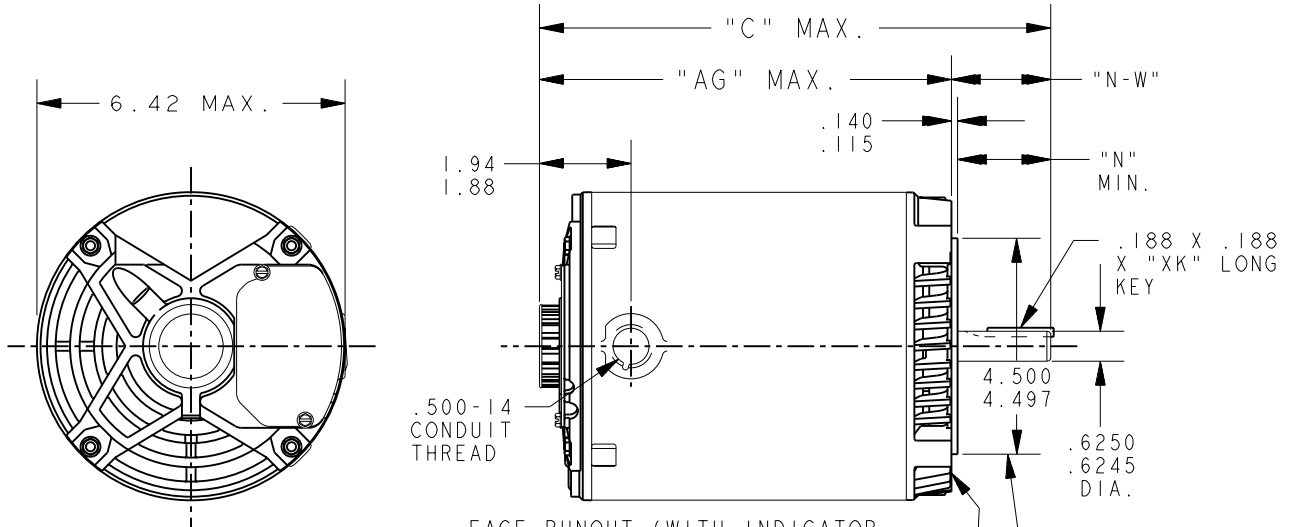
SHEET 1
 REV 6
 SIZE DRAWING NO. 52A107807
 A

THIRD ANGLE PROJECTION



REVISIONS

REV.	DESCRIPTION	DATE	APPROVED
5	REDRAWN & ADDED P#8	06/14/94	M.A.M.
6	CHG TO RBC FORMAT PER ISO5-1777	03/03/06	SUDHA



FACE RUNOUT (WITH INDICATOR MOUNTED STATIONARY, RELATIVE TO SHAFT) MUST NOT EXCEED .004 T.I.R.

ECCENTRICITY OF THIS SURFACE (WITH INDICATOR MOUNTED STATIONARY, RELATIVE TO SHAFT) MUST NOT EXCEED .004 T.I.R.


VIEW OF P.E. END SHIELD

.375-16UNC-2B (4 HOLES) .70 MIN. FULL THREAD. THESE HOLES FIT A GAGE HAVING A RABBET 4.5005 DIA. AND 4 PINS .2917 DIA. LOCATED ON THE BASIC HOLE POSITIONS.

ALL DIMENSIONS ARE IN INCHES

8	KH	46	56CZ	11.15	8.66	2.25	2.49/2.37	1.62		6.55
7	KH	49	56CZ	11.70	9.21	2.25	2.49/2.37	1.38		7.15
6	KH	46	56CZ	11.15	8.66	2.25	2.49/2.37	1.38		6.55
5	KH	48	56CZ	12.66	10.54	2.25	2.49/2.37	1.62		8.43
4	KH	49	56CZ	11.91	9.79	2.25	2.49/2.37	1.62		7.68
3	K	49	56C	11.38	9.26	1.88	2.12/2.00	1.38		7.15
2	K	46	56C	10.78	8.66	1.88	2.12/2.00	1.38		6.55
1	K	49	56C	13.22	11.10	1.88	2.12/2.00	1.38		8.99
P	TYPE	GE SIZE	NEMA FR.	"C"	"AG"	"N"	"N-W"	"XK"		MIN. SHELL

SIGNATURES		DATE
MODEL	M.D. PAPE	07/20/92
DETAIL	.	.
CHECKED	.	.
ENGRG	.	.
MFG	.	.
FOR ADDITIONAL INFO REFER TO:	QUALITY	.
APPLIED PRACTICES	ISSUED	M.A.M. 06/14/94
DIMENSIONS ARE IN INCHES ✓	SOLID MODEL: 52A107807	



REGAL-BELOIT CORPORATION

TITLE: **OUTLINE**

GENERAL PURPOSE MOTOR DRIP PROOF - BALL BEARING - R2 END MOUNTED FMF - 40 FRAME REDESIGN

SIZE: DRAWING A

SCALE: 0.250 REF. No: .

SHEET 1 of 1

52A107807 REV 6