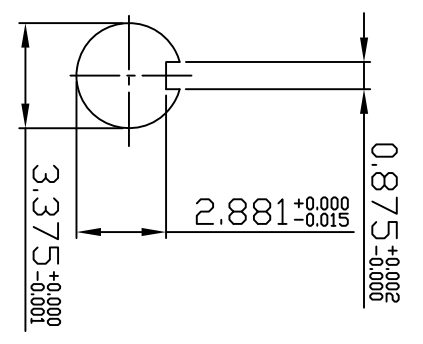
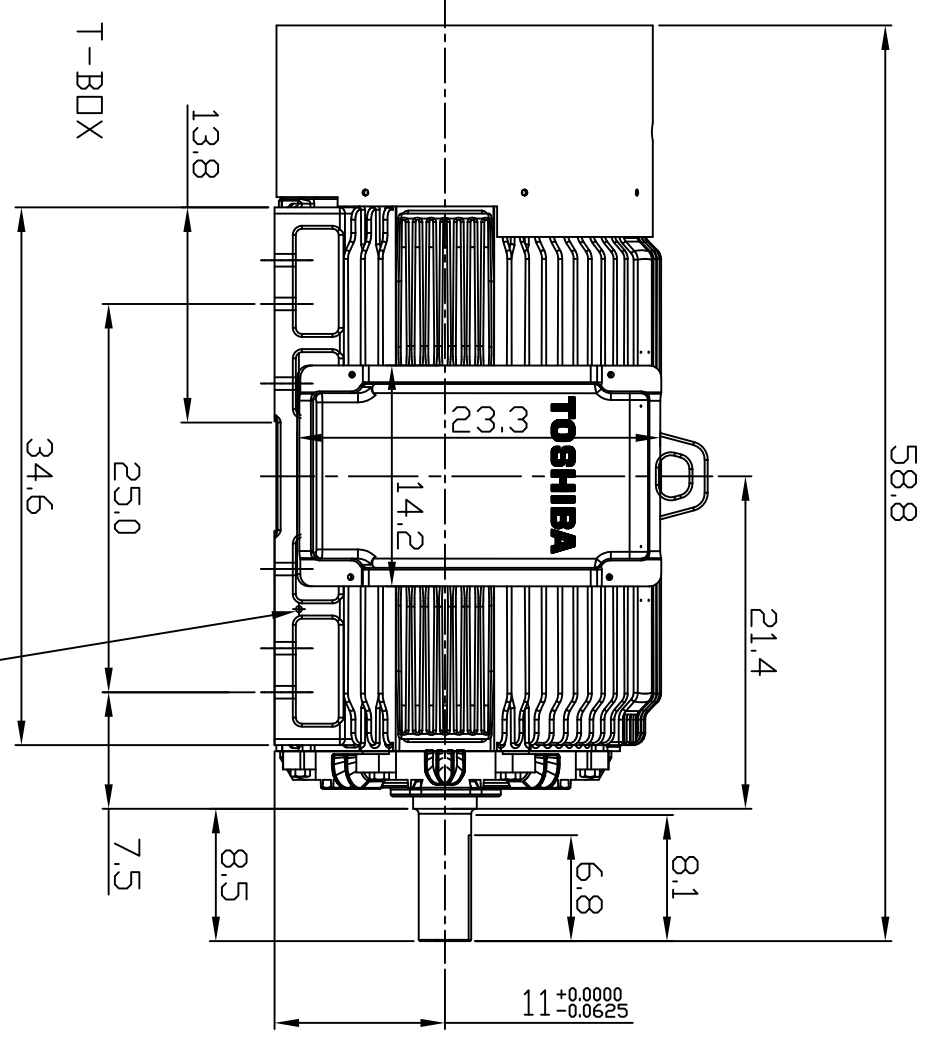
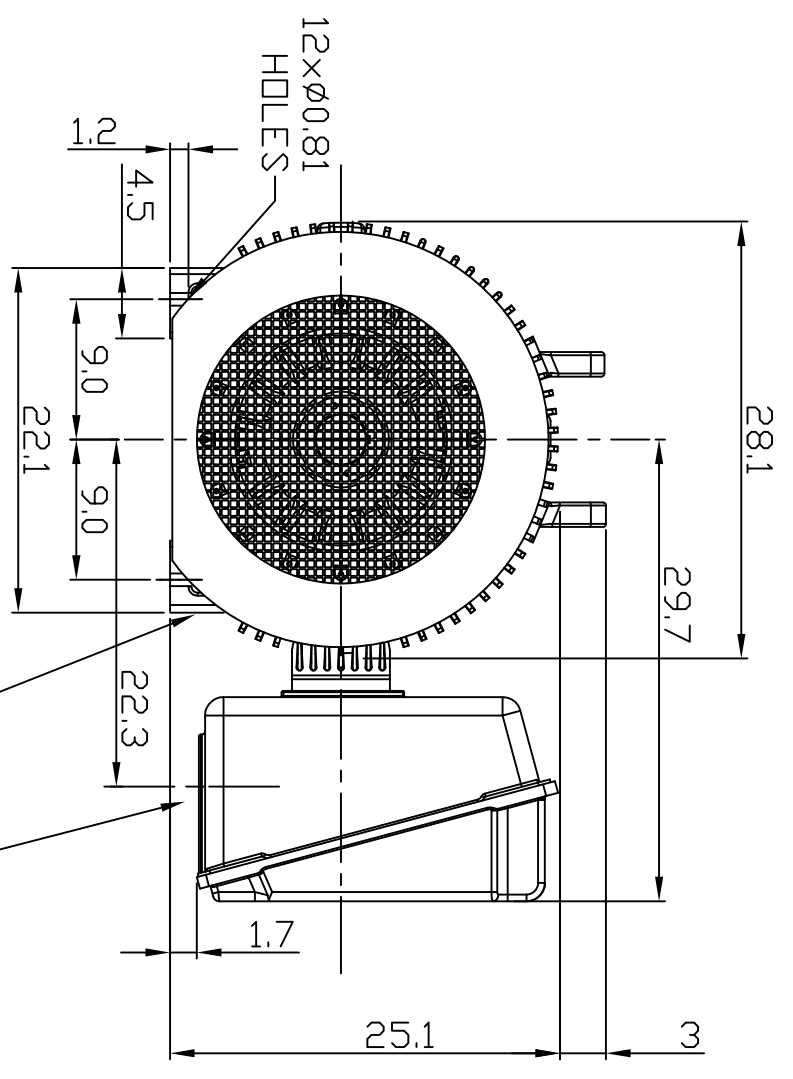


ROTATION
SEE NOTE 6



TECHNICAL INFORMATION

1. BEARING LUBRICATION DE: CHEVRON SRI
ODE: CHEVRON SRI
2. BEARING TYPE DE: NU322C3
ODE: 6318C3
3. WINDING TEMP. DETECTORS
NUMBER AND TYPE: N/A
LOCATION: N/A
4. BEARING TEMP. DETECTORS
NUMBER AND TYPE: N/A
5. SPACE HEATER N/A PHASE
VOLTS: - WATTS: -
6. ROTATION: CCW VIEWED FROM NON DRIVE END
THIS MOTOR IS BI DIRECTIONAL
7. MOTOR PAINT COLOR: GRAY
8. APPROX. WEIGHT: 3800 Lbs
9. ACCESSORIES:

GROUND TERMINAL

GROUND TERMINAL

DRAWING LIST

MAIN TERMINAL BOX 130-7622-55			
AUX TERMINAL BOX FOR			
SPACE HEATER	-		
R.T.D.	-		
THERMISTOR	-		
PRODUCTION #	-		
UNITS:	INCHES	NO.	REVISION
		BY	DATE

**MOTOR OUTLINE FOR
THREE PHASE INDUCTION MOTOR**

CUSTOMER NAME			P.O. NO.		MOTOR TAG NO.	
OUTPUT	POLE	VOLTAGE	FREQUENCY	FULL LOAD SPEED	TOSHIBA MODEL NO.	
HP	4/6	2.3/4k V	Hz	(min-1)		
TYPE	FORM	INS. CLASS	RATING	FRAME	S.F.	ENCLOSURE
TIKK	FBKW1	F	CONT.	N449T		TEFC

TOSHIBA INTERNATIONAL CORPORATION
HOUSTON, TEXAS U.S.A.

3rd ANGLE PROJ.	PREPARED BY:	DATE:	CHECKED BY:	DATE:	DRAWING NO.:	REV.
	T. Ziebro	2/26/04			MDSL0071-13	0