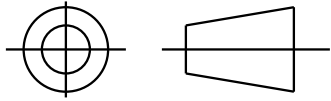


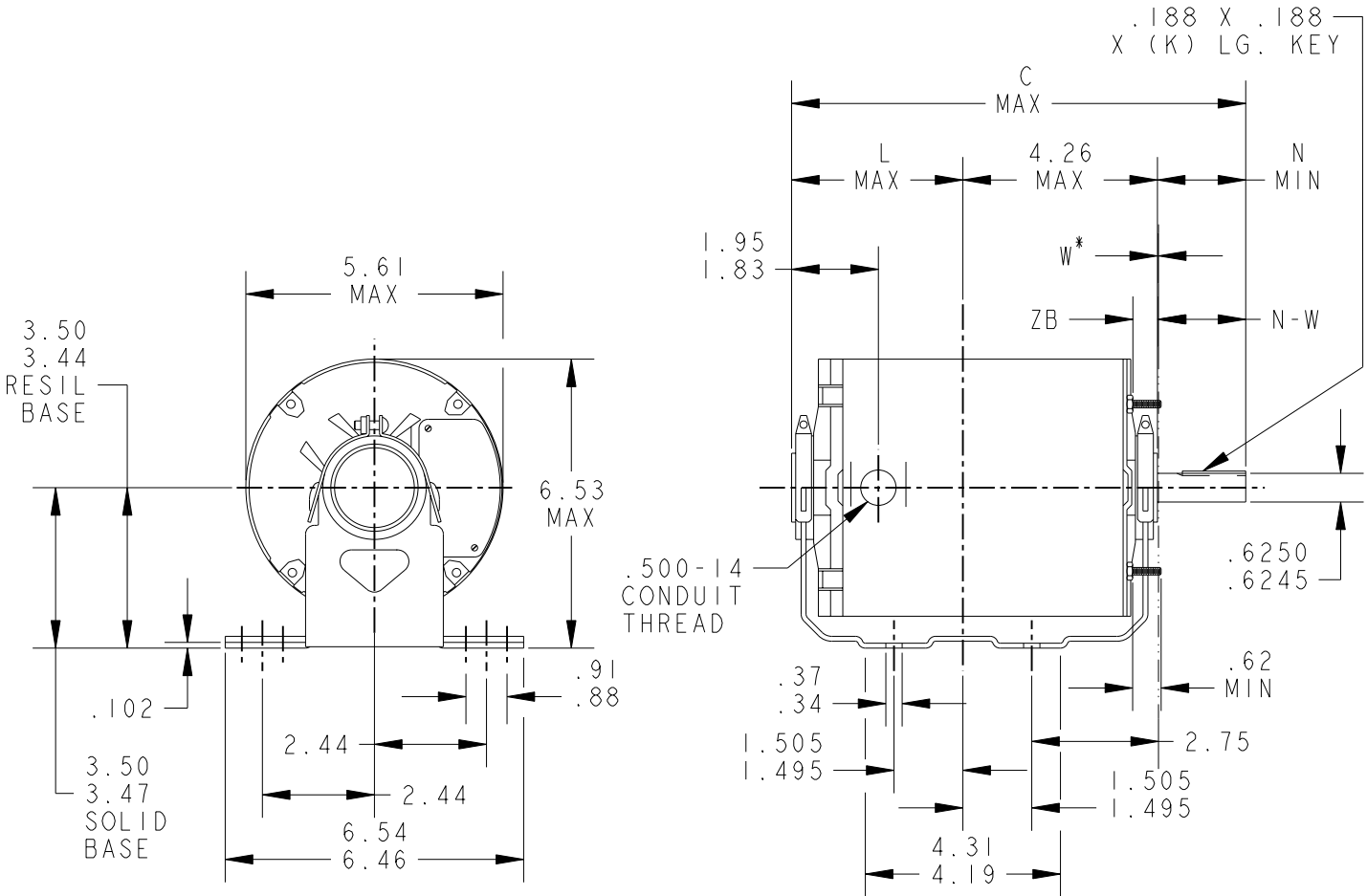
SHEET 1
REV 4
SIZE 52A101955

THIRD ANGLE PROJECTION



REVISIONS

REV.	DESCRIPTION	DATE	APPROVED
3	REDRAWN NO CHANGE T196-22390	07/10/96	MDP
4	CHG TO RBC FORMAT AS PER IS05-1777	12/21/05	GOVARDAN



* W IS A CLEARANCE DUE TO VARIATION IN PARTS AND ASSEMBLY.

4	K KH	38	56	11.32	5.23	1.38	1.88	2.01/1.79	.55/.52
3	K KH	37	56	10.72	4.63	1.38	1.88	2.01/1.79	.55/.52
2	K KH	36	56	10.32	4.23	1.38	1.88	2.01/1.79	.55/.52
1	K KH	35	56	9.89	3.80	1.38	1.88	2.01/1.79	.55/.52
PT	TYPE	GE SIZE	NEMA FR	C	L	K	N	N-W	ZB

SIGNATURES		DATE
MODEL	JRK	05/10/76
DETAIL	.	.
CHECKED	.	.
ENGRG	.	.
MFG	.	.
QUALITY	.	.
ISSUED	MDP	07/10/96
SOLID MODEL: 52A101955		



REGAL-BELOIT CORPORATION

TITLE
OUTLINE
FORM N - GENERAL PURPOSE MOTOR - TENV - SOLID OR RESIL BASE - BALL OR SLEEVE BEARING

SIZE	DRAWING	REV
A		4
SCALE: 1.000	REF. No: .	SHEET 1 of 1

FOR ADDITIONAL INFO REFER TO:
APPLIED PRACTICES
DIMENSIONS ARE IN INCHES ✓
MATERIAL