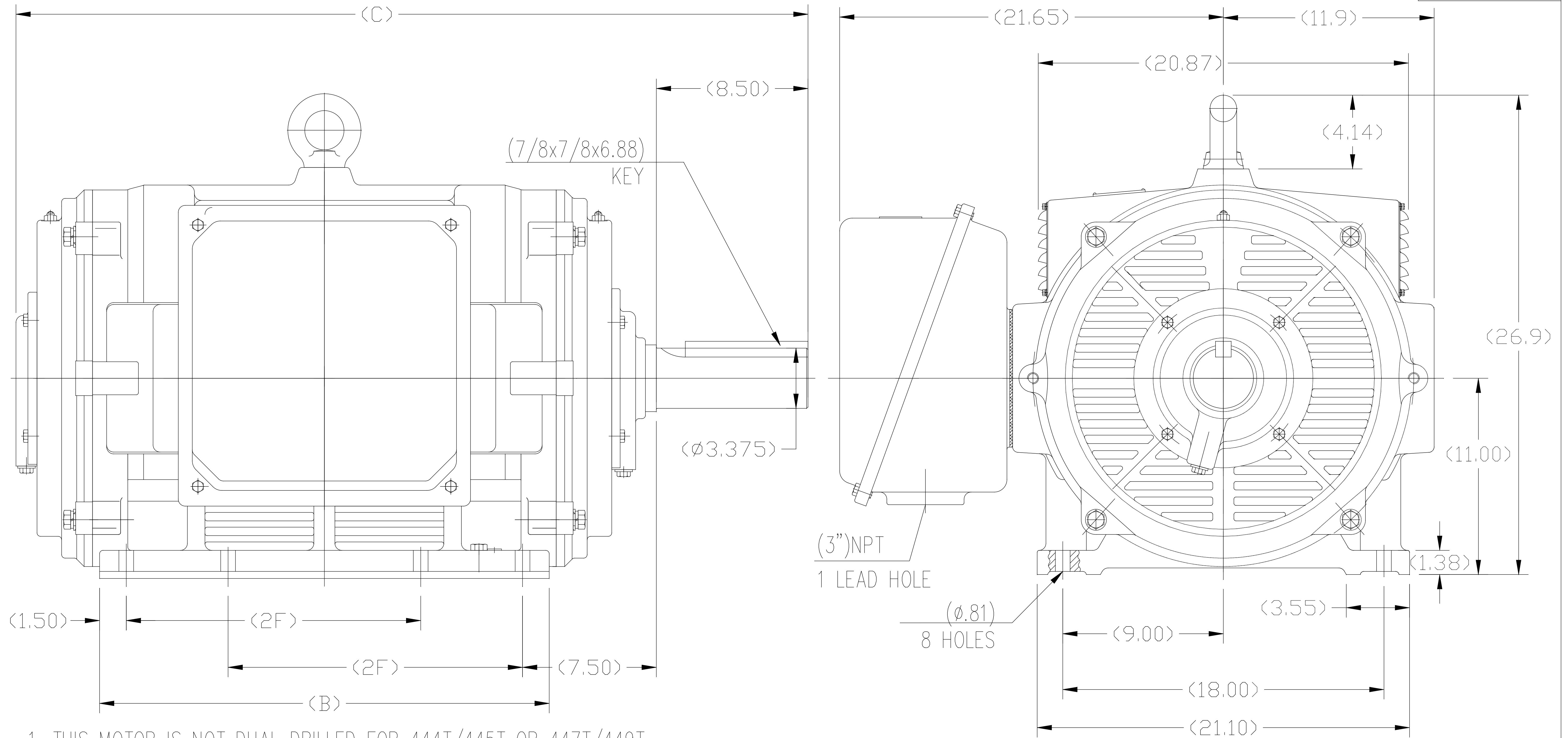


SS620255



- 1. THIS MOTOR IS NOT DUAL DRILLED FOR 444T/445T OR 447T/449T
- 2. THIS MOTOR IS DRILLED FOR F1/F2 CAPABILITY

444T	44.57	25.20	14.50
445T	44.57	25.20	16.50
447T	49.69	30.32	20.00
449T	49.69	30.32	25.00
Frame	C	B	2F

				TOLERANCES UNLESS SPECIFIED		REGAL-BELOIT CORPORATION		DRAWN ZYH 02-21-2010		
				DEC.	INCHES			CHK HZJ 02-21-2010		
				.X	±.1			APPD CL 02-21-2010		
				.XX	±.03	TITLE		SCALE 6=32		
G	UPDATED DRAWING PER MARK-UP	ECD-0108274	WGJ 10-7-16	EMH .XXX	±.005	444/445/447/449T FR-ODP-CAST IRON		REF		
A	2 leads hole change to 1		CL 2010-9-8	.XXXX	±.0005	MAT'L.		FMF HWADA		
NO.	REVISION		BY & DATE	CHK	ANG	±1/2	FINISH	PREV		
THIS DRAWING IN DESIGN AND DETAIL IS OUR PROPERTY AND MUST NOT BE USED EXCEPT IN CONNECTION WITH OUR WORK ALL RIGHTS OF DESIGN AND INVENTION ARE RESERVED THIS IS AN ELECTRONICALLY GENERATED DOCUMENT - DO NOT SCALE THIS PRINT				RFP	CAD FILE		SS620255	SIZE	DRAWING NO.	REV.
				DIST			B	SS620255	G	