

4

3

Uncontrolled Copy

2

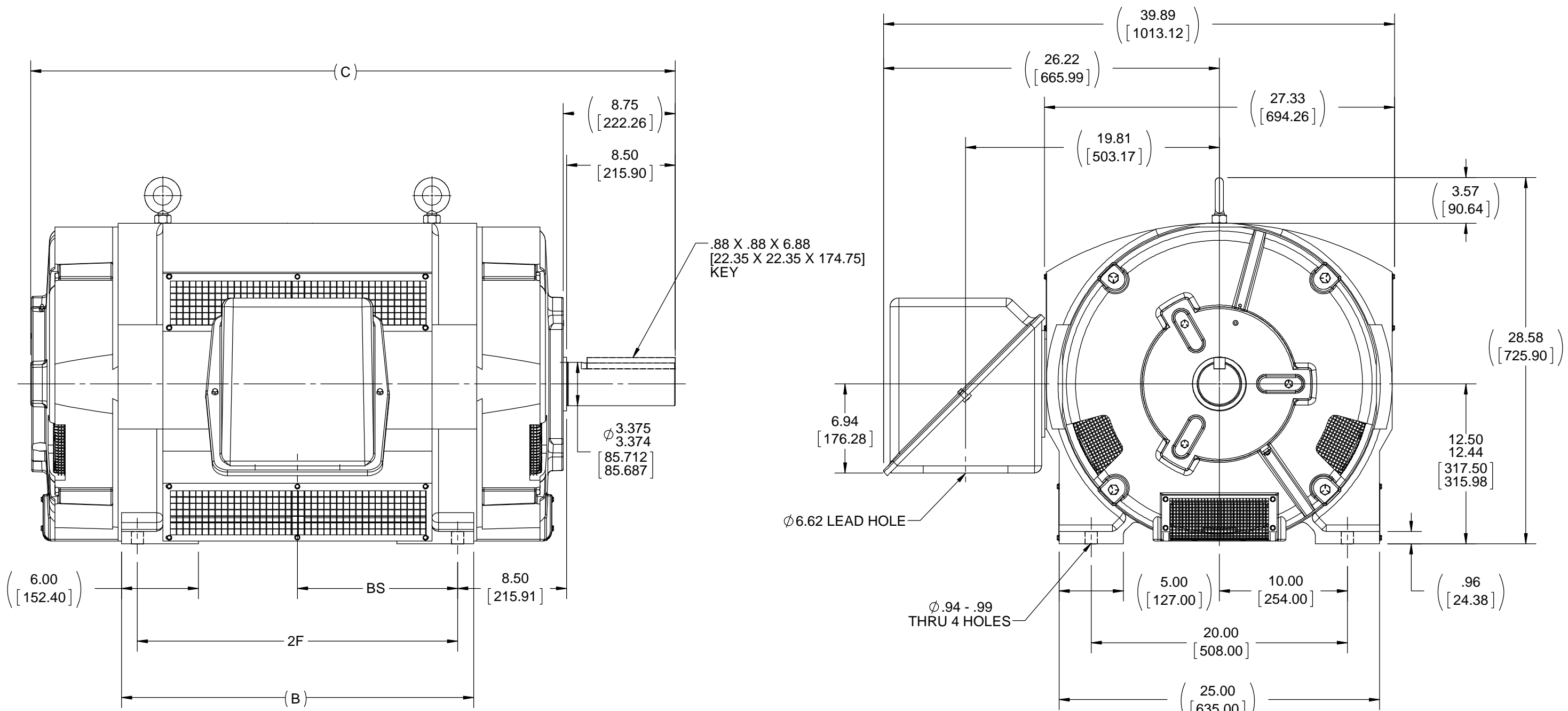
1

B

B

A

A



NOTES:

- 1. CONDUIT BOX CAN BE ROTATED IN 90° STEPS
- 2. CONDUIT BOX CAN BE MOUNTED ON OPPOSITE SIDE BY REMOVING BRACKETS AND TURNING FRAME 180°
- 3. NAMEPLATES TO BE READ FROM CONDUIT BOX SIDE OF MOTOR

| DASH | FRAME | B | C | 2F | BS |
|------|-------|-------------------|--------------------|-------------------|-------------------|
| 2800 | 508U | 27.50 [698.50] | 50.32 [1278.13] | 25.00 [635.00] | 12.50 [317.50] |
| 3500 | 510U | 34.50 [876.30] | 57.32 [1455.93] | 32.00 [812.80] | 16.00 [406.40] |

| | | |
|---|---------------------------|--------------------|
| DRAWING REVISION A | REVISION BY W. JOERGER | DATE 09-07-2017 |
| ECO ECO-0112562 | APPROVED BY E. HEIL | DATE 09-07-2017 |
| ECO DESCRIPTION RELEASED FOR PRODUCTION | | |
| <small>COPYRIGHT REGAL BELOIT AMERICA, INC. ALL RIGHTS RESERVED. PROPRIETARY AND CONFIDENTIAL INFORMATION - THIS DOCUMENT IS THE PROPERTY OF REGAL BELOIT AMERICA, INC. ("OWNER") AND CONTAINS OWNER'S PROPRIETARY INFORMATION. ANY PERSON, CORPORATION OR OTHER FIRM RECEIVING IT IS DEEMED, BY RECEIVING IT, TO AGREE THAT IT, AND/OR ANY PART OF IT, SHALL NOT BE DISCLOSED TO ANY PERSON, CORPORATION OR OTHER ENTITY, DUPLICATED, AND/OR USED, EXCEPT AS EXPRESSLY APPROVED IN WRITING IN ADVANCE BY OWNER. THIS DOCUMENT SHALL BE RETURNED TO OWNER UPON REQUEST. IT MAY BE SUBJECT TO CERTAIN RESTRICTIONS UNDER APPLICABLE EXPORT CONTROL LAWS AND REGULATIONS.</small> | | |

TOLERANCES UNLESS OTHERWISE SPECIFIED:

| DEC. | INCH | mm | ANGLE |
|-------|---------|-----------|---------|
| .X | ±0.1 | [±2.5] | ±7° 30" |
| .XX | ±0.03 | [±0.76] | |
| .XXX | ±0.005 | [±0.127] | |
| .XXXX | ±0.0005 | [±0.0127] | |

REMOVE BURRS & BREAK SHARP EDGES: .003/.015 [0.076/.381] X 45°
CORNER FILLETS: R.02 [0.51]
MACHINED SURFACES: 200 INCH/mm 5.1
mm SHOWN IN [BRACKETS]

| | |
|------------------------|--------------------|
| DRAWN BY W. JOERGER | DATE 09-07-2017 |
| APPROVED BY E. HEIL | DATE 09-07-2017 |
| REFERENCE | |
| THIRD ANGLE PROJECTION | |

| | |
|---|-----------------------------------|
| Regal Beloit America, Inc. | |
| DESCRIPTION OUTLINE 508/510U FR - DR PR - SCREENED | |
| MATERIAL | PROCESS/FINISH |
| SIZE B | DRAWING NUMBER SS557360 |
| SHEET 1 OF 1 | |

4

3

2

1