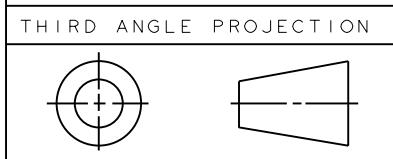
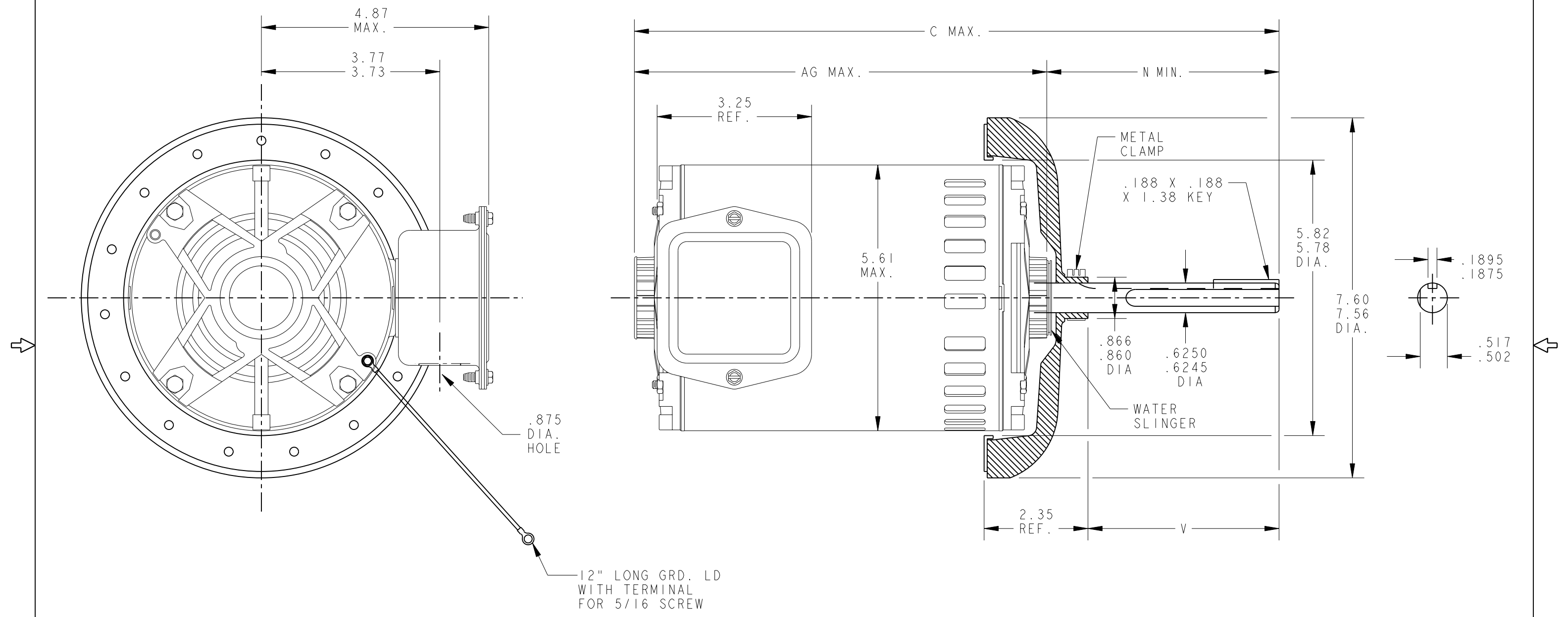




REVISIONS			
REV.	DESCRIPTION	DATE	APPROVED
I	CHG TO RBC FORMAT PER ISO5-1777	05/16/06	ARCHANA



I	KCP	36	48Z	12.65	4.26 4.20	8.30	3.43 3.37	6.22
P	TYPE	GE SIZE	NEMA FR	C	N	AG	V	SHELL LGTH.

FOR ADDITIONAL INFO REFER TO:  
 APPLIED PRACTICES  
 DIMENSIONS ARE IN INCHES  
 MATERIAL

SIGNATURES	DATE
MODEL DURGA	06/04/04
DETAIL	.
CHECKED	.
ENGRG	.
MFG	.
QUALITY	.
ISSUED DURGA	06/04/04
SOLID MODEL: 52B210999	

**REGAL-BELOIT CORPORATION**

**REGAL-BELOIT**

TITLE: **OUTLINE**  
**FORM N - SPECIAL PURPOSE MOTOR**  
**DRIP PROOF - BALL BEARING**

SIZE: B DRAWING: **52B210999** REV: **1**

SCALE: 0.500 REF. No: SHEET 1 of 1