

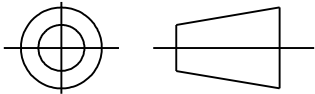
SHEET

REV

52A111697 0

SIZE DRAWING NO. A

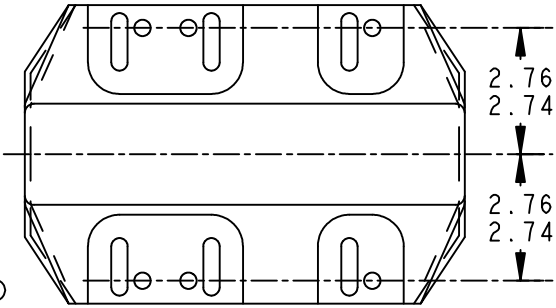
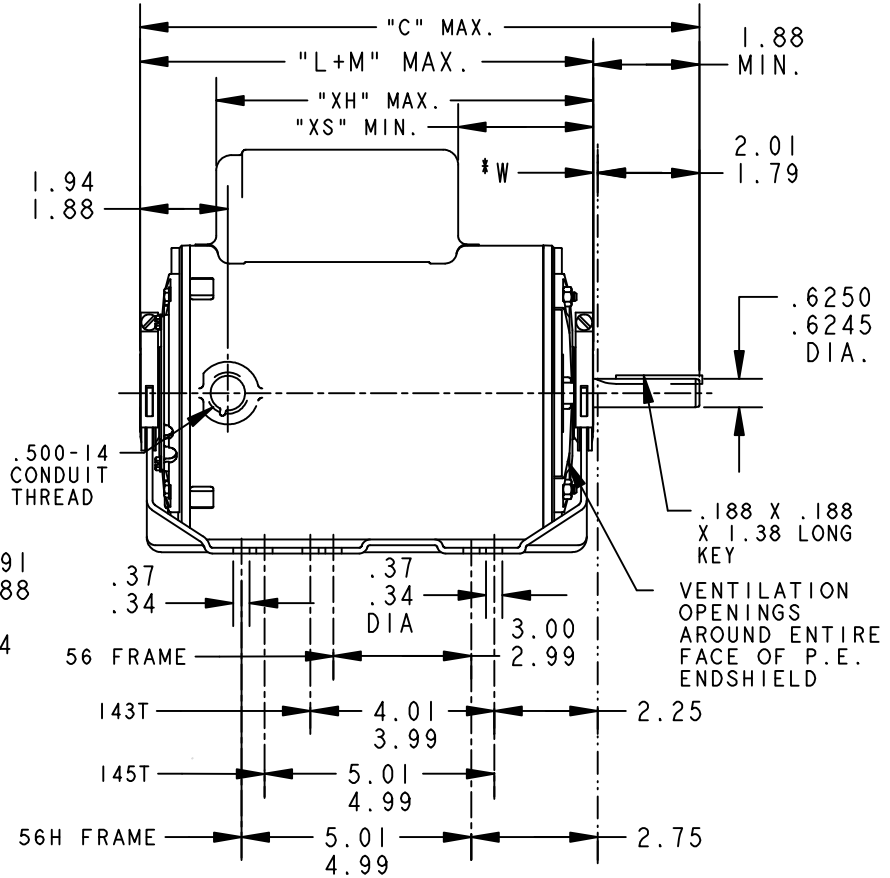
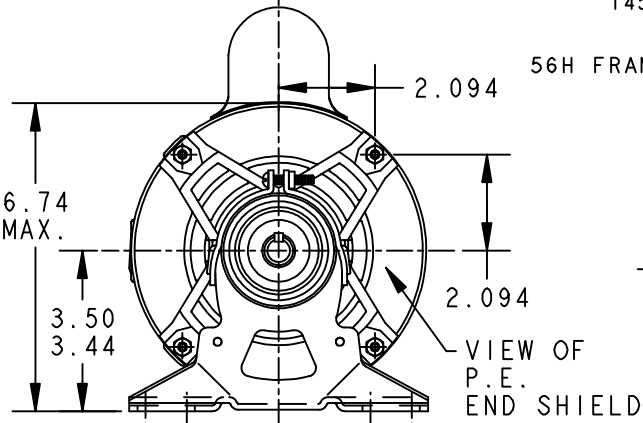
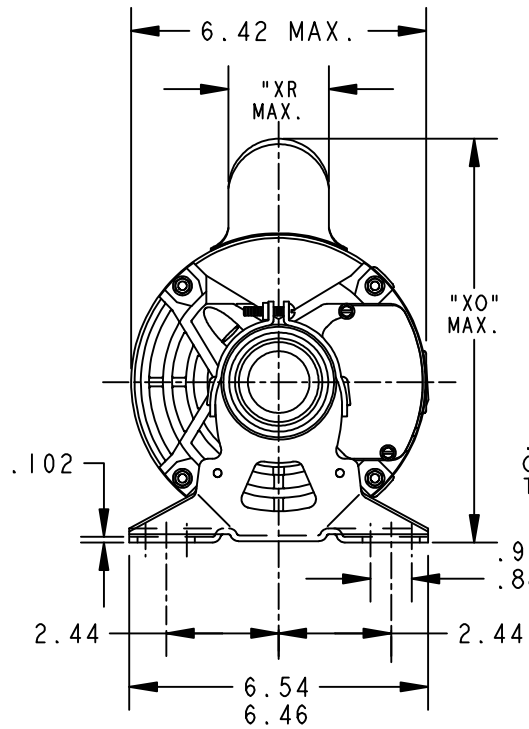
THIRD ANGLE PROJECTION



REVISIONS


REV.	DESCRIPTION	DATE	APPROVED

*W IS A VARIABLE CLEARANCE DUE TO VARIATIONS IN PARTS AND ASSEMBLY



I	KC	48	56	12.76	10.76	7.98	8.94	2.40	0.77	8.43
P	TYPE	GE SIZE	NEMA FR	C	L+M	XH	XO	XR	XS	SHELL MIN.

FOR ADDITIONAL INFO REFER TO:	SIGNATURES	DATE
APPLIED PRACTICES	MODEL ARCHANA	06/29/06
DIMENSIONS ARE IN INCHES	DETAIL	.
TOLERANCE ON:	CHECKED	.
1 PL DECIMALS ± 0.1	ENGRG	.
2 PL DECIMALS ± 0.02	MFG	.
3 PL DECIMALS ± 0.005	QUALITY	.
ANGLES ± 1.0	ISSUED	ARCHANA 06/29/06
FRACTIONS ±	SOLID MODEL: 52A111697	
FINISH		



REGAL-BELOIT CORPORATION

TITLE

OUTLINE

GENERAL PURPOSE MOTOR - DRIP PROOF - BALL BEARING

RESILIENT BASE FMF - 40 FRAME REDESIGN (5KC49SN0151X)

SIZE DRAWING

52A111697 REV **0**

SCALE: 0.250 REF. No: . SHEET 1 of 1