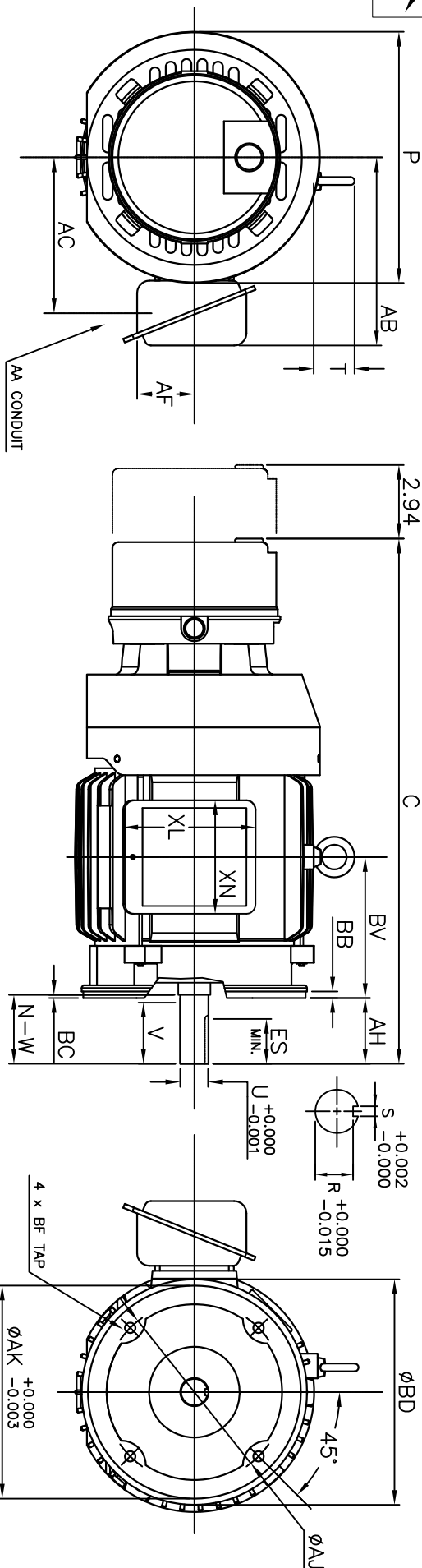


CLEARANCE REQUIRED TO REMOVE HOUSING



FRAME SIZE	FLANGE DIMENSIONS							
	AH	AJ	AK	BB	BC	BD	BF TAP	BV
182TC/184TC	2.62	7.250	8.500	0.25	0.13	6.94	1/2"-13UNC	5.63

UNITS: INCHES

FRAME SIZE	MOTOR DIMENSIONS											CONDUIT BOX						
	A	B	C	D	G	J	K	M	O	P	T	AA	AB	AC	AE	AF	XL	XN
182TC/184TC	-	-	21.0	-	-	-	-	-	-	10.1	2.0	0.75	7.7	6.3	-	2.3	5.3	4.6

FRAME SIZE	MOUNTING				SHAFT EXTENSION				KEY SEAT				BEARINGS		MAXIMUM WEIGHT
	E	ZF	H	BA	N-W	V	U	R	S	ES	LS	OS			
182TC/184TC	-	-	-	-	2.75	2.50	1.125	0.986	0.250	1.79	6207ZZ	6205ZZ	120 lbs.		

CUSTOMER: _____ MOTOR MODEL NO.: _____ TAG NO's: _____

P.O. NO.: _____ HP: _____ VOLTAGE: _____ RPM(SYN.): _____ Hz: _____
 FRAME SIZE: _____ PRODUCT TYPE: ITEC EOP III, EPACT, & HIGH EFFICIENCY BRAKE SERIES
 COMMENTS: 56,000 SERIES STEARNS BRAKE

 PER: _____ DATE: _____

TOSHIBA RESERVES THE RIGHT TO MAKE CHANGES OF TECHNICAL IMPROVEMENT AND THE DATA MAY CHANGE WITHOUT NOTICE PRELIMINARY
 DO NOT USE FOR CONSTRUCTION, INSTALLATION, OR APPLICATION PURPOSES UNLESS THE DRAWING IS MARKED AS CERTIFIED CERTIFIED

- NOTES:
1. DIMENSION V REPRESENTS LENGTH OF STRAIGHT PART OF SHAFT
 2. MAIN CONDUIT BOX MAY BE ROTATED IN 90° INCREMENTS
 3. KEY DIMENSIONS EQUAL S x S x 1.75 (MOTOR SUPPLIED WITH KEY)
 4. MOTOR WEIGHT SHOWN IS MAXIMUM HORSEPOWER IN FRAME
 5. STANDARD PRODUCT USE BI-DIRECTIONAL FAN. OPPOSITE ROTATION AVAILABLE ONLY BY CONNECTION CHANGE

STANDARD (NO AUX. BOXES)
 RTD AUX. BOX
 SPACE HEATER AUX. BOX
 BEARING RTD's

TOSHIBA
 TOSHIBA INTERNATIONAL CORPORATION
 TOTALLY-ENCLOSED FAN-COOLED
 ROUND-BODY
 3 PHASE INDUCTION MOTOR
 F1 ASSEMBLY

XT SERIES
 VISIT OUR WEBSITE AT:
 www.toshiba.com/ind