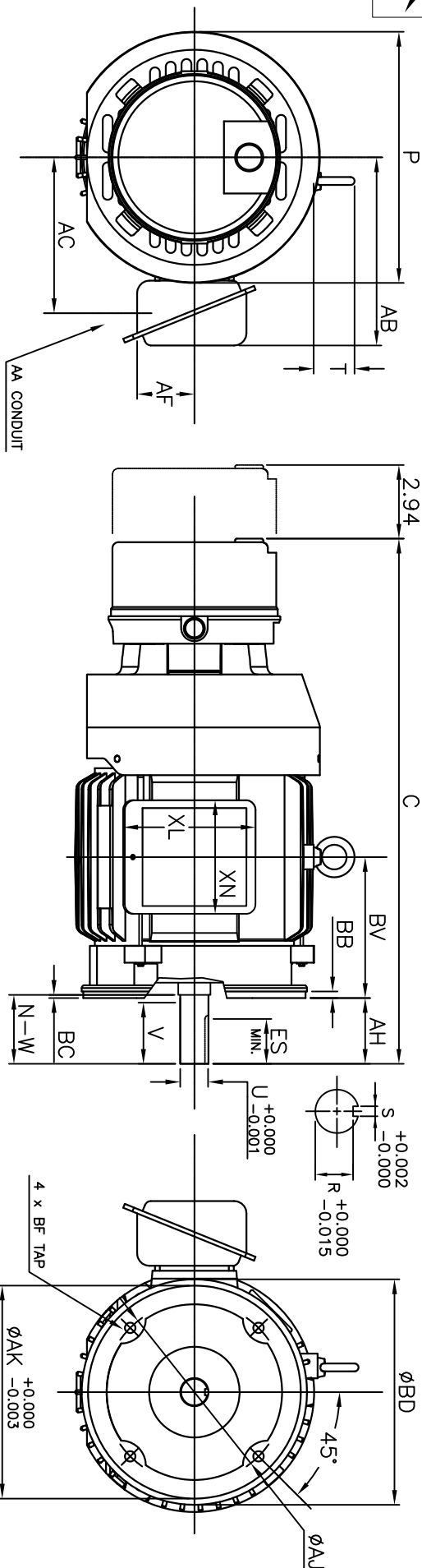


CLEARANCE REQUIRED TO REMOVE HOUSING



| FRAME SIZE | FLANGE DIMENSIONS | | | | | | | |
|-------------|-------------------|-------|-------|------|------|------|------------|------|
| | AH | AJ | AK | BB | BC | BD | BF TAP | BV |
| 182TC/184TC | 2.62 | 7.250 | 8.500 | 0.25 | 0.13 | 6.94 | 1/2"-13UNC | 5.63 |

UNITS: INCHES

| FRAME SIZE | MOTOR DIMENSIONS | | | | | | | | | | CONDUIT BOX | | | | | | | |
|-------------|------------------|---|------|---|---|---|---|---|---|------|-------------|------|-----|-----|----|-----|-----|-----|
| | A | B | C | D | G | J | K | M | O | P | T | AA | AB | AC | AE | AF | XL | XN |
| 182TC/184TC | - | - | 21.0 | - | - | - | - | - | - | 10.1 | 2.0 | 0.75 | 7.7 | 6.3 | - | 2.3 | 5.3 | 4.6 |

| FRAME SIZE | MOUNTING | | | | SHAFT EXTENSION | | | | KEY SEAT | | | | BEARINGS | | MAXIMUM WEIGHT |
|-------------|----------|----|---|----|-----------------|------|-------|-------|----------|------|--------|--------|----------|--|----------------|
| | E | ZF | H | BA | N-W | V | U | R | S | ES | LS | OS | 120 lbs. | | |
| 182TC/184TC | - | - | - | - | 2.75 | 2.50 | 1.125 | 0.986 | 0.250 | 1.79 | 6207ZZ | 6205ZZ | 120 lbs. | | |

CUSTOMER: _____ MOTOR MODEL NO.: _____ TAG NO's: _____

P.O. NO.: _____ HP: _____ VOLTAGE: _____ RPM(SYN.): _____ Hz: _____
 FRAME SIZE: _____ PRODUCT TYPE: ITEC EGP III, EPACT, & HIGH EFFICIENCY BRAKE SERIES
 COMMENTS: 56,000 SERIES STEARNS BRAKE

 PER: _____ DATE: _____

TOSHIBA RESERVES THE RIGHT TO MAKE CHANGES OF TECHNICAL IMPROVEMENT AND THE DATA MAY CHANGE WITHOUT NOTICE PRELIMINARY
 DO NOT USE FOR CONSTRUCTION, INSTALLATION, OR APPLICATION PURPOSES UNLESS THE DRAWING IS MARKED AS CERTIFIED CERTIFIED

- NOTES:
1. DIMENSION V REPRESENTS LENGTH OF STRAIGHT PART OF SHAFT
 2. MAIN CONDUIT BOX MAY BE ROTATED IN 90° INCREMENTS
 3. KEY DIMENSIONS EQUAL S x S x 1.75 (MOTOR SUPPLIED WITH KEY)
 4. MOTOR WEIGHT SHOWN IS MAXIMUM HORSEPOWER IN FRAME
 5. STANDARD PRODUCT USE BI-DIRECTIONAL FAN. OPPOSITE ROTATION AVAILABLE ONLY BY CONNECTION CHANGE

| | |
|-------------------------------------|--------------------------|
| <input checked="" type="checkbox"/> | STANDARD (NO AUX. BOXES) |
| <input type="checkbox"/> | RTD AUX. BOX |
| <input type="checkbox"/> | SPACE HEATER AUX. BOX |
| <input type="checkbox"/> | BEARING RTD's |

TOSHIBA
 TOSHIBA INTERNATIONAL CORPORATION

TOTALLY-ENCLOSED FAN-COOLED
 ROUND-BODY
 3 PHASE INDUCTION MOTOR
 F1 ASSEMBLY

XT SERIES
 VISIT OUR WEBSITE AT:
 www.toshiba.com/ind